

NuDAQ[®]
ACL-8112 Series
Enhanced Multi-Functions
Data Acquisition Cards
User's Guide

©Copyright 1996–2000 ADLINK Technology Inc.

All Rights Reserved.

Manual Rev. 3.52: Jan 2, 2003

Part No.: 50-11012-200

The information in this document is subject to change without prior notice in order to improve reliability, design and function and does not represent a commitment on the part of the manufacturer.

In no event will the manufacturer be liable for direct, indirect, special, incidental, or consequential damages arising out of the use or inability to use the product or documentation, even if advised of the possibility of such damages.

This document contains proprietary information protected by copyright. All rights are reserved. No part of this manual may be reproduced by any mechanical, electronic, or other means in any form without prior written permission of the manufacturer.

Trademarks

NuDAQ and ACL-8112 are registered trademarks of ADLINK Technology Inc..

Other product names mentioned herein are used for identification purposes only and may be trademarks and/or registered trademarks of their respective companies.

Getting service from ADLINK

- Customer Satisfaction is the most important priority for ADLINK Tech Inc. If you need any help or service, please contact us.

ADLINK Technology Inc.			
Web Site	http://www.adlinktech.com		
Sales & Service	Service@adlinktech.com		
Technical Support	NuDAQ + USBDAQ + PXI	nudaq@adlinktech.com	
	Automation	automation@adlinktech.com	
	NuIPC	nuipc@adlinktech.com	
	NuPRO / EBC	nupro@adlinktech.com	
TEL	+886-2-82265877	FAX	+886-2-82265717
Address	9F, No. 166, Jian Yi Road, Chungho City, Taipei, 235 Taiwan.		

- Please email or FAX us of your detailed information for a prompt, satisfactory and constant service.

Detailed Company Information			
Company/Organization			
Contact Person			
E-mail Address			
Address			
Country			
TEL		FAX	
Web Site			
Questions			
Product Model			
Environment to Use	OS: Computer Brand: M/B: CPU: Chipset: BIOS: Video Card: Network Interface Card: Other:		
Detail Description			
Suggestions to ADLINK			

Table of Contents

Chapter 1 Introduction	1
1.1 Features	3
1.2 Applications	4
1.3 Specifications	4
1.4 Software Support.....	8
1.4.1 <i>Programming Library</i>	8
1.4.2 <i>LabView Driver</i>	8
Chapter 2 Installation	9
2.1 What You Have	9
2.2 Unpacking.....	10
2.3 ACL-8112's Layout.....	11
2.4 Jumper and DIP Switch Description.....	13
2.5 Base Address Setting	13
2.6 Analog Input Channel Configuration	15
2.7 DMA Channel Setting	16
2.8 Internal/External Trigger Setting	17
2.9 Clock Source Setting	18
2.10 IRQ Level Setting	18
2.11 D/A Reference Voltage Setting	19
2.12 A/D Input Range Setting.....	20
Chapter 3 Signal Connections	21
3.1 Connectors Pin Assignment.....	22
3.2 Analog Input Signal Connection.....	25
3.3 Analog Output Signal Connection	28
3.4 Digital I/O Connection.....	28
3.5 Timer / Counter Connection.....	29
3.6 Daughter Board Connection.....	30
3.6.1 <i>Connect with ACLD-8125</i>	30
3.6.2 <i>Connect with ACLD-9137</i>	30
3.6.3 <i>Connect with ACLD-9182</i>	30
3.6.4 <i>Connect with ACLD-9185</i>	30
3.6.5 <i>Connect with ACLD-9188</i>	30

Chapter 4 Registers.....	31
4.1 I/O Port Address.....	32
4.2 A/D Data Registers	33
4.3 A/D Channel Multiplexer Register.....	33
4.4 A/D Range Control Register.....	35
4.5 A/D Operation Mode Control Register	37
4.6 Interrupt Status Register	38
4.7 Software Trigger Register.....	38
4.8 Digital I/O register.....	39
4.9 D/A Output Register.....	40
4.10 Internal Timer/Counter Register.....	41
Chapter 5 Operation Theory	42
5.1 A/D Conversion.....	42
5.1.1 A/D Conversion Procedure.....	42
5.1.2 A/D Trigger Modes.....	43
5.1.3 A/D Data Transfer Modes	44
5.2 D/A Conversion.....	45
5.3 Digital Input and Output.....	45
5.4 Timer/Counter Operation	46
Chapter 6 Calibration & Utilities	49
6.1 What do you need	49
6.2 VR Assignment.....	50
6.3 D/A Adjustment.....	50
6.3.1 D/A CH1 calibration.....	50
6.3.2 D/A CH2 calibration.....	51
6.4 A/D Programmable Gain Amplifier adjustments.....	51
6.5 A/D Adjustment.....	51
6.5.1 Bipolar Calibration.....	51
6.5.2 Unipolar Calibration(Only for ACL-8112DG/HG)	52

Chapter 7 C Language Library.....	53
7.1 _8112_Initial.....	54
7.2 _8112_Switch_Card_No.....	56
7.3 _8112_DI.....	57
7.4 _8112_DI_Channel.....	58
7.5 _8112_DO.....	59
7.6 _8112_DA.....	60
7.7 _8112_AD_Input_Mode.....	61
7.8 _8112_AD_Set_Channel.....	63
7.9 _8112_AD_Set_Range.....	64
7.10 _8112_AD_Set_Mode.....	67
7.11 _8112_AD_Soft_Trig.....	69
7.12 _8112_AD_Aquire.....	70
7.13 _8112_CLR_IRQ.....	71
7.14 _8112_AD_DMA_Start.....	72
7.15 _8112_AD_DMA_Status.....	74
7.16 _8112_AD_DMA_Stop.....	75
7.17 _8112_AD_INT_Start.....	76
7.18 _8112_AD_INT_Status.....	77
7.19 _8112_AD_INT_Stop.....	78
7.20 _8112_AD_Timer.....	79
7.21 _8112_TIMER_Start.....	80
7.22 _8112_TIMER_Read.....	81
7.23 _8112_TIMER_Stop.....	81
Appendix A. Demo Programs.....	82
Warranty Policy.....	83

How to Use This Guide

This manual is designed to help you use the ACL-8112. The manual describes how to modify various settings on the ACL-8112 card to meet your requirements. It is divided into seven chapters:

- Chapter 1, “Introduction,”** gives an overview of the product features, applications, and specifications.
- Chapter 2, “Installation,”** describes how to install the ACL-8112. The layout of the ACL-8112 is shown, the switch setting for base address, and jumper setting for analog input channel configuration, reference voltage setting, trigger source, interrupt level and DMA channel are specified.
- Chapter 3, “Signal Connection,”** describes the connectors' pin assignment and how to connect the outside signal and devices with the ACL-8112.
- Chapter 4, “Registers,”** describes the details of register format and structure of the ACL-8112, this information is very important for the programmers who want to control the hardware by low-level programming.
- Chapter 5, “Operation Theory,”** describes how to operate the ACL-8112. The A/D, D/A, DIO and timer/counter functions are introduced. Also, some programming concepts are specified.
- Chapter 6, “Calibration & Utility,”** describes how to calibrate the ACL-8112 for accurate measurement.
- Chapter 7, “C Language Library,”** describes how to program the ACL-8112 by using the C language library in DOS environment.
- Appendix A, “Demo. Program,”** describes some demonstration programs.

1

Introduction

The ACL-8112 is a high performance, high speed multi-function data acquisition card for IBM PC or compatible computers.

The ACL-8112 series is designed to combine all data acquisition functions, such as A/D, D/A, DIO and timer/counter into a single board. The high-end specifications of the card makes it ideal for a wide range of applications requiring high speed. Figure 1.1 shows the block diagram of the ACL-8112.

The ACL-8112 Series consists of three models, the ACL-8112HG, ACL-8112DG and ACL-8112PG. The ACL-8112HG provides special high-gain programmable instrument amplifier for low level input applications, such as measurement of thermo-coupling signals. The ACL-8112DG provides high speed sampling rates (up to 100 KHz) at all gains (x1, x2, x4, and x8) and the ACL-8112PG provides 16 single-ended inputs with sampling up to 100 KHz with 5 levels of gain (x1, x2, x4, x8, x16)

All ACL-8112 Series feature 16 single-ended inputs or 8 differential inputs, 2 12-bit double-buffered analog outputs, 16 digital inputs and 16 digital outputs, and one timer/counter channel.

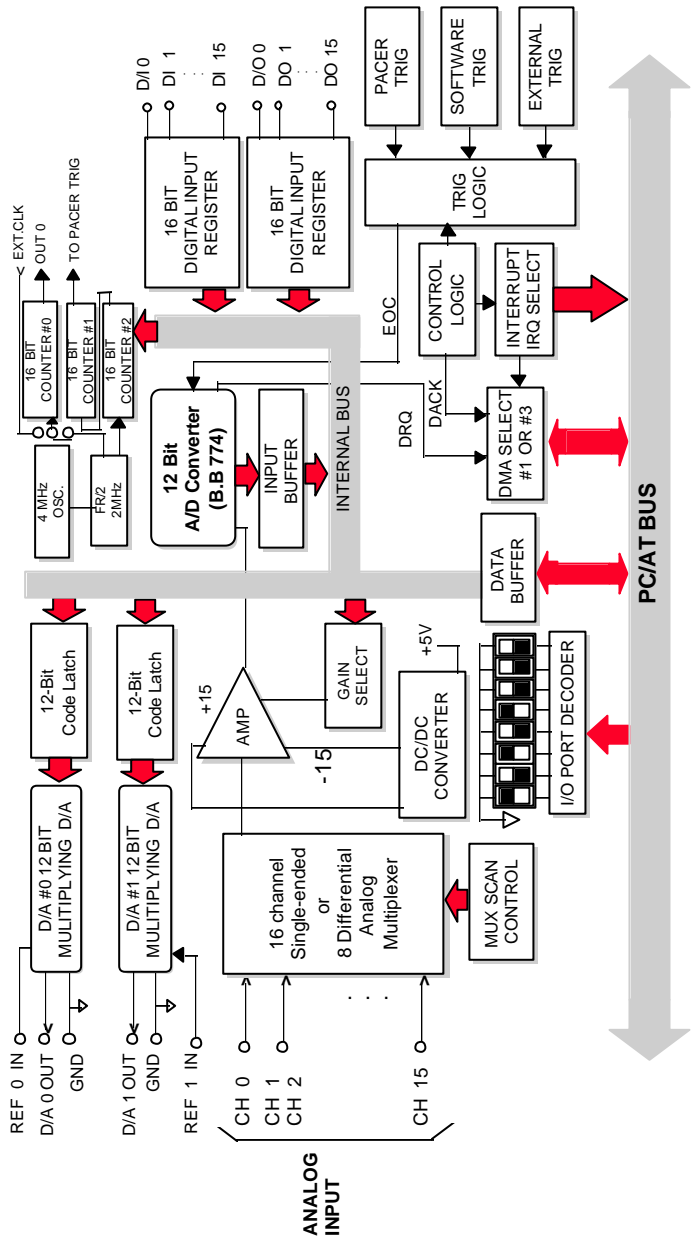


Figure 1.1 ACL - 8112 BLOCK DIAGRAM

1.1 Features

The ACL-8112 series Enhanced Multi-function Data Acquisition Card provides the following advanced features:

- AT-Bus
- 16 single-ended or 8 differential analog input channels for ACL-8112DG/HG, 16 single-ended for ACL-8112PG
- Bipolar or unipolar input signals for ACL-8112DG/HG, bipolar for ACL-8112PG
- Programmable gain
- High gain for ACL-8112HG:(x0.5, x1, x5, x10, x50, x100, x500, x1,000)
- Normal gain for ACL-8112DG (x0.5, x1, x2, x4, x8)
- 5 Levels programmable gain for ACL-8112PG (x1, x2, x4, x8, x16), x0.5 gain can be set by jumper
- On-chip sample & hold
- Two 12-bit monolithic multiplying analog output channels
- 16 digital output channels
- 16 digital input channels
- 3 programmable 16-bit down counters
- Programmable sampling rate of up to 100KHz
- Three A/D trigger modes: software trigger, programmable pacer trigger, and external pulse trigger
- AT interrupt IRQ capability: 9 IRQ levels (IRQ3~IRQ15) are jumper selectable
- Integral DC-to-DC converter for stable analog power source
- 37-pin D-type connector
- Compact size: half-size PCB

1.2 Applications

- Industrial and laboratory ON/OFF control
- Energy management
- Annunciation
- 16 TTL/DTL compatible digital input channels
- Security controller
- Product test
- Period and pulse width measurement
- Event and frequency counting
- Waveform and pulse generation
- BCD interface driver

1.3 Specifications

◆ Analog Input (A/D)

- **Converter:** ADS774 or equivalent, successive approximation type
- **Resolution:** 12-bit
- **Number of channels:**
 - ACL-8112DG/HG: 16 single-ended or 8 differential
 - ACL-8112PG: 16 single-ended
- **Input Range:** (Programmable)
- **ACL-8112HG:**
 - Bipolar : $\pm 10V, \pm 5V, \pm 1V, \pm 500\text{ mV}, \pm 100\text{mV}, \pm 50\text{mV}, \pm 10\text{mV}, \pm 5\text{mV}$
 - Unipolar: 0~10V, 0~1V, 0~0.1V, 0~0.01V
- **ACL-8112DG:**
 - Bipolar : $\pm 10V, \pm 5V, \pm 2.5V, \pm 1.25V, \pm 0.625$
 - Unipolar: 0~10V, 0~5V, 0~2.5V, 0~1.25V

- **ACL-8112PG:**

Bipolar : $\pm 10V, \pm 5V, \pm 2.5V, \pm 1.25V, \pm 0.625V$

Or

Bipolar : $\pm 5V, \pm 2.5V, \pm 1.25V, \pm 0.625V, \pm 0.3125V$

- **Conversion Time:** 8 μ sec
- **Overvoltage protection:** Continuous $\pm 35V$ maximum
- **Accuracy:**

(ACL-8112HG)

GAIN = 0.5, 1	0.01% of FSR ± 1 LSB
GAIN = 5, 10	0.02% of FSR ± 1 LSB
GAIN = 50, 100	0.04% of FSR ± 1 LSB
GAIN = 500, 1000	0.04% of FSR ± 1 LSB

(ACL-8112DG)

GAIN = 0.5, 1	0.01% of FSR ± 1 LSB
GAIN = 2, 4	0.02% of FSR ± 1 LSB
GAIN = 8	0.04% of FSR ± 1 LSB

(ACL-8112PG)

GAIN = 0.5, 1, 2, 4	0.015% of FSR ± 1 LSB
GAIN = 8, 16	0.02% of FSR ± 1 LSB

- **Input Impedance:** 10 M Ω
- **AD conversion trigger modes:** Software, Pacer, and External trigger
- **Data Transfer:** Pooling, DMA, Interrupt
- **Sampling Rate:**
 - 100 KHz maximum for single channel
 - 100 KHz maximum for multiplexing on ACL-8112PG
 - 20 KHz maximum for multiplexing on ACL-8112DG/HG

Analog Output (D/A)

- **Converter:** DAC7541 or equivalent, monolithic multiplying
- **Number of channels:** 2 double-buffered analog outputs
- **Resolution:** 12-bit

- **Output Range:**
Internal reference: (unipolar) 0~5V or 0~10V
External reference: (unipolar) max. +10V or -10V
- **Settling Time:** 30 μ sec
- **Linearity:** $\pm 1/2$ bit LSB
- **Output driving capability:** ± 5 mA max.

◆ Digital I/O (DIO)

- **Number of channels:** 16 TTL compatible inputs and outputs
- **Input Voltage:**
Low: Min. 0V ; Max. 0.8V
High: Min. +2.0V
- **Input Load:**
Low: +0.5V @ -0.2mA max.
High: +2.7V @ +20mA max.
- **Output Voltage:**
Low: Min. 0V ; Max. 0.4V
High: Min. +2.4V
- **Driving Capacity:**
Low: Max. +0.5V at 8.0mA (Sink)
High: Min. 2.7V at 0.4mA(Source)

◆ Programmable Counter

- **Device:** 8254
- **A/D pacer:** 32-bit timer(two 16-bit counter cascaded together) with a 2MHz time base
- **Pacer Output:** 0.00046 Hz ~ 100 KHz
- **Counter:** One 16-bit counter with internal 2MHz time base or external clock source

◆ **General Specifications**

- **I/O Base Address:** 16 consecutive address location
- **Interrupt IRQ:** IRQ3,5,6,7,9,10,11,12,15 (9 levels)
- **DMA Channel:** CH1 and CH3 (Jumper selectable)
- **Connector:** 37-pin D-type connector
- **Operating Temperature:** 0 °C ~ 55 °C
- **Storage Temperature:** -20 °C ~ 80°C
- **Humidity:** 5 ~ 95%, non-condensing
- **Power Consumption:**
 - ACL-8112DG/HG: +5 V @ 430 mA typical
+12V @ 150 mA typical
 - ACL-8112PG: +5 V @ 450 mA typical
12 V @ 150 mA typical
- **Dimension:**
 - ACL-8112DG/HG: 162mm(L) x 115mm(W)
 - ACL-8112PG: 163 mm(L) x 123 mm(W)

1.4 Software Support

1.4.1 Programming Library

For users who are writing their own programs, we provide MS-DOS Borland C/C++ programming library.

ACLS-DLL2 is the Development Kit for NuDAQ ISA-Bus Cards with Analog I/O for windows 3.1/95(98)/NT. ACLS-DLL2 can be used in many programming environments, such as VC++, VB, and Delphi. ACLS-DLL2 is included in the ADLINK CD. To use this package a license is required.

1.4.2 LabView Driver

The ACLS-LVIEW includes the ACL-8112's Vis, which is used to interface with NI's LabView software package. The ACLS-LVIEW supports Windows - 95(98)/NT. ACLS-LVIEW is included in the ADLINK CD. To use this package a license is required.

2

Installation

This chapter describes how to install the ACL-8112 series products. Please use the following steps to install the product.

- Check what you have (section 2.1)
- Unpacking (section 2.2)
- Check the PCB and jumper location(section 2.3)
- Install the hardware and setup the jumpers and switches (section 2.4~2.12)
- Cabling with external devices (section 2.13)

2.1 What You Have

In addition to this *User's Manual*, the package includes the following items:

- ACL-8112 Enhanced Multi-function Data Acquisition Card
- ADLINK CD

If any of these items are missing or damaged, contact ADLINK or the dealer from whom you purchased the product. Save the shipping materials and carton in case you want to ship or store the product in the future.

Note: The utilities and libraries in the CD-ROM only support the ACL-8112 series under DOS environment. If you need to develop applications under Windows 3.1. , Windows 95 or Windows NT, please contact our dealer for purchasing software development kit ACLS-DLL2.

2.2 Unpacking

The card contains electro-static sensitive components that can be easily be damaged by static electricity.

Therefore, the card should be handled on a grounded anti-static mat. The operator should be wearing an anti-static wristband, grounded at the same point as the anti-static mat.

Inspect the card module carton for obvious damages. Shipping and handling may cause damage to your module. Be sure there are no shipping and handling damages on the modules carton before continuing.

After opening the card module carton, extract the system module and place it only on a grounded anti-static surface with component side up.

Again, inspect the module for damages. Press down on all the socketed IC's to make sure that they are properly seated. Do this only with the module place on a firm flat surface.

Note: DO NOT ATTEMPT TO INSTALL A DAMAGED BOARD IN THE COMPUTER.

You are now ready to install your card.

2.3 ACL-8112's Layout

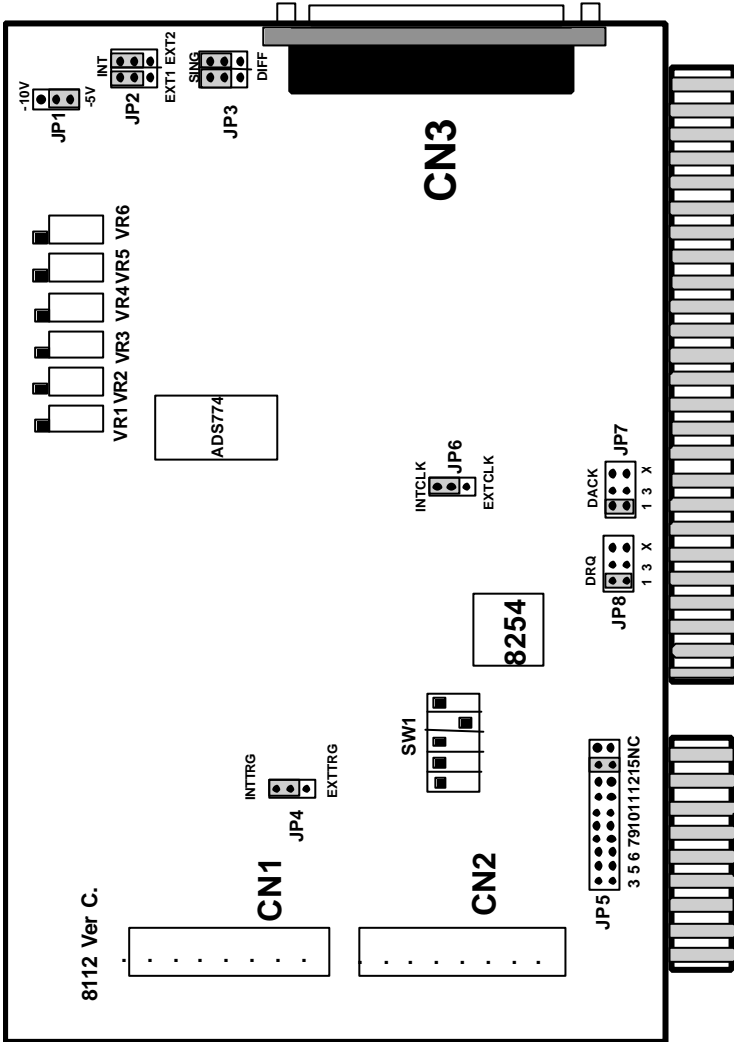


Figure 2.1-1 PCB Layout of the ACL-8112DG/HG Ver C.

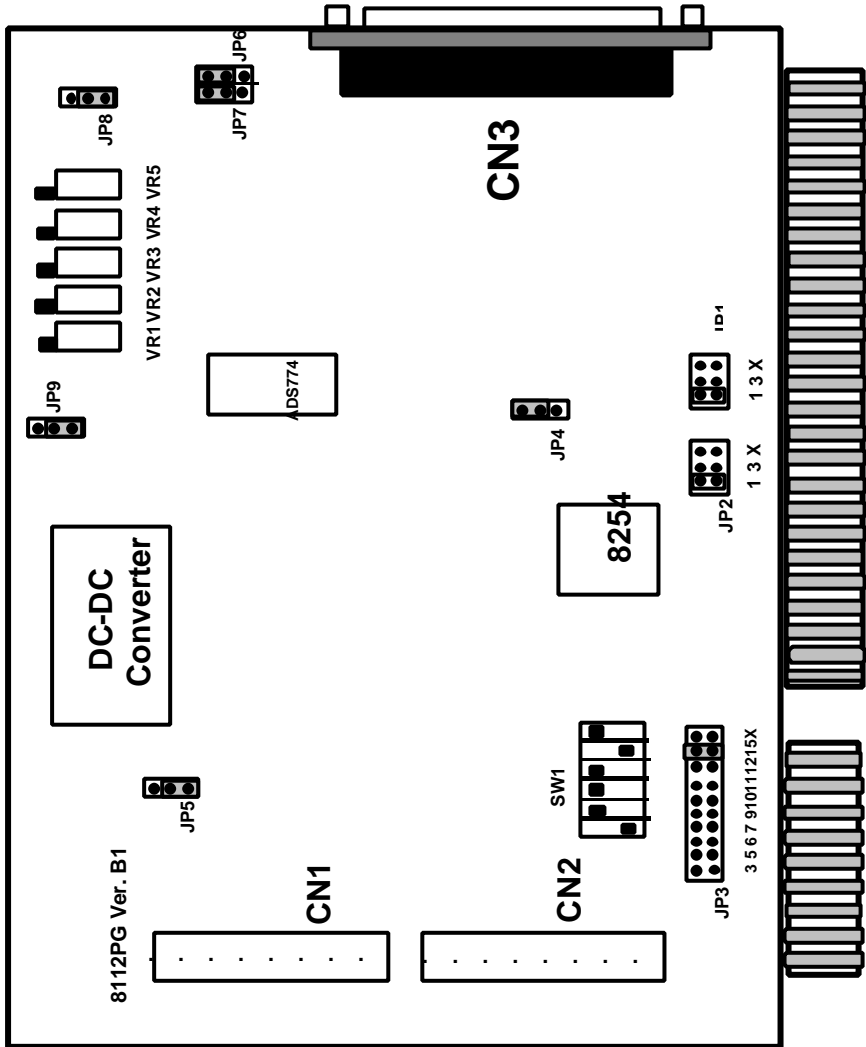


Figure 2.1-2 PCB Layout of the ACL-8112PG

2.4 Jumper and DIP Switch Description

You can change the ACL8112's channels and the base address by setting jumpers and DIP switches on the card. The card's jumpers and switches are preset at the factory. You can change the jumper settings for your own applications.

A jumper switch is closed (sometimes referred to as "shorted") with the plastic cap inserted over two pins of the jumper. A jumper is open when the plastic cap is inserted over one or no pin(s) of the jumper.

2.5 Base Address Setting

The ACL-8112 requires 16 consecutive address locations in the I/O address space. The base address of the ACL-8112 is restricted by the following conditions.

1. The base address must be within the range *Hex 200 to Hex 3FF*.
2. The base address should not conflict with any PC reserved I/O address. see Appendix A.
3. The base address must not conflict with any add-on card on your own PC. Please check your PC before installing the ACL-8112.

The ACL-8112's base address of registers is selected by an 6 positions DIP switch **SW1**. The default setting of base address is set to be **HEX 220**. All possible base address combinations are listed as Table 2.2. You may modify the base address if the address *HEX 220* has been occupied by another add-on card.

SW1 : Base Address = Hex 220



Figure 2.2 Default Base Address Setting

I/O port Address(Hex)	A9	1 A8	2 A7	3 A6	4 A5	5 A4
200-20F	-- (1)	ON (0)	ON (0)	ON (0)	ON (0)	ON (0)
210-21F	-- (1)	ON (0)	ON (0)	ON (0)	ON (0)	OFF (1)
220-22F (default)	-- (1)	ON (0)	ON (0)	ON (0)	OFF (1)	ON (0)
230-23F	-- (1)	ON (0)	ON (0)	ON (0)	OFF (1)	OFF (1)
:						
300-30F	-- (1)	OFF (1)	ON (0)	ON (0)	ON (0)	ON (0)
:						
3F0-3FF	-- (1)	OFF (1)	OFF (1)	OFF (1)	OFF (1)	OFF (1)

Table 2.2 Possible Base Address Combinations

A0, ..., A9 corresponds to the PC Bus address lines
A9 is fixed at "1".

How to define/determine the base address of the ACL-8112 ?
DIP1 to DIP5 of SW1 corresponds to the PC bus address line A8 to A4 respectively. A9 is always 1 and A0~A3 are always 0. If you want to change the base address, you can only change the values of A8 to A4 (the shadow area of the table below). The following table is an example, of how to set a base address of **Hex 220**

Base Address: **Hex 220**

2		2				0			
1	0	0	0	1	0	0	0	0	0
A9	A8	A7	A6	A5	A4	A3	A2	A1	A0

2.6 Analog Input Channel Configuration

(This section is for ACL-8112DG and ACL-8112HG only.)

The ACL-8112 offers 16 single-ended or 8 differential analog input channels. JP3 controls the analog input channel configuration. The setting of JP3 is specified in the following illustration.

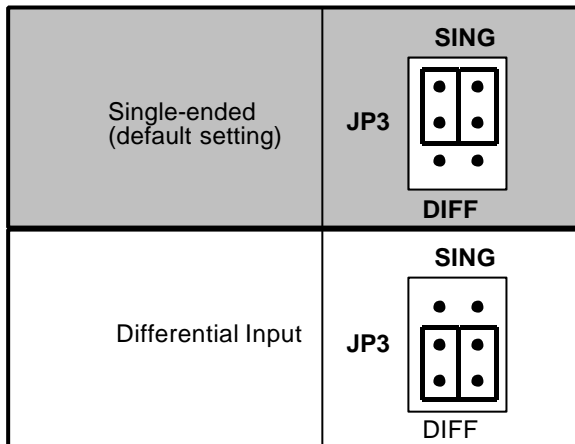


Figure 2.3 Analog Input Channels Configuration

2.7 DMA Channel Setting

The A/D data transfer of the ACL-8112 is designed with DMA transfer capabilities. The setting of the DMA for channel 1 or channel 3 is controlled by JP7 and JP8 on the ACL-8112DG/HG, and JP1 and JP2 on the ACL-8112PG . Possible settings are shown below:

Note: On floppy disk only machine, we suggest you set the DMA to level 3. If you have a hard disk installed in the computer, level 1 is preferable.

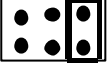
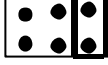
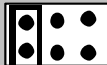
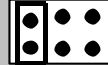
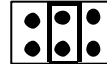
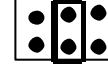
NO DMA	<p style="text-align: center;">DRQ JP8/JP2</p>  <p style="text-align: center;">1 3 X</p>	<p style="text-align: center;">DACK JP7/JP1</p>  <p style="text-align: center;">1 3 X</p>
DMA 1 (Default)		
DMA 3		

Figure 2.4 DMA Channel Setting

2.8 Internal/External Trigger Setting

The A/D conversion trigger source of the ACL-8112 can come from an internal or external source. The internal or external trigger source is set by JP4 on the ACL-8112DG/HG and by JP5 on the ACL-8112PG, as shown on Figure 2.5. Note that there are two internal trigger sources, one is by software trigger and the other is by the programmable pacer trigger, which is controlled by the mode control register(see section 4.5).

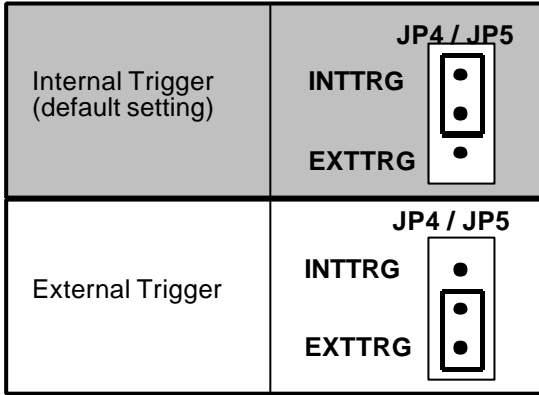


Figure 2.5 Trigger Source Setting

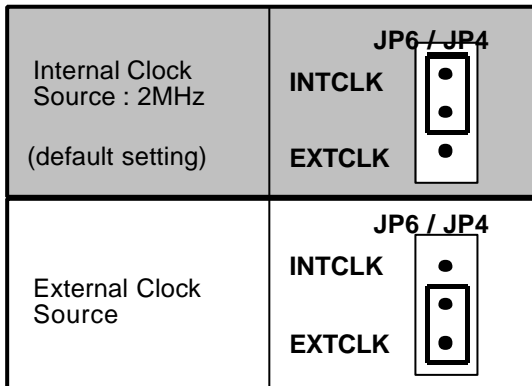


Figure 2.6 Timer's Clock Source Setting

2.9 Clock Source Setting

The 8254 programmable interval timer is used in the ACL-8112. It provides 3 independent 16-bit programmable down counters. The input of counter 2 is connected to a precision 2MHz oscillator which is the internal pacer. The input of counter 1 is cascaded from the output of counter 2. Channel 0 is free for user's applications. There are two selections for the clock source of channel 0: the internal 2MHz clock or an external clock signal from connector CN3 pin 37. The setting for the clock is shown in Figure 2.6.

2.10 IRQ Level Setting

The ACL-8112 can connect to any one of the interrupt lines of the PC I/O channel. The interrupt line is selected by JP5 of ACL-8112DG/HG or JP3 of ACL-8112PG. If you wish to use the interrupt capability of ACL-8112, you must select an interrupt level and place the jumper in the appropriate position to enable the particular interrupt line.

The default interrupt level is IRQ15, which is selected by placing the jumper on the pins in row number 15. Figure 2.7 shows the default interrupt jumper setting IRQ15. You only remove the jumper from IRQ15 to other new pins, if you want to change to another IRQ level.

Note: Please note that no other add-on cards can shares the same interrupt level at the same time.

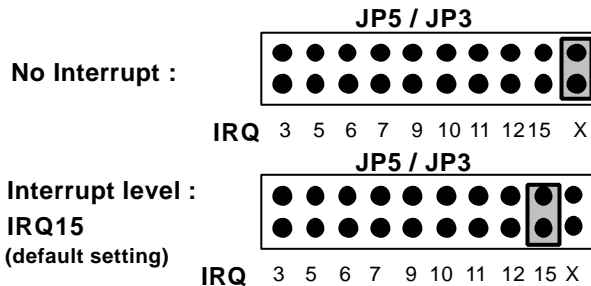


Figure 2.7 IRQ Level Setting

2.11 D/A Reference Voltage Setting

The D/A converter's reference voltage source can be internally or externally generated. The external reference voltage is connected via CN3 pin 31 (*ExtRef1*) and pin 12 (*ExtRef2*), see section 3.1. The D/A reference source of channel 1 and channel 2 are selected using JP2 for the ACL-8112DG/HG and JP6 and JP7 for the ACL-8112PG respectively. Possible settings are shown below:

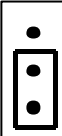

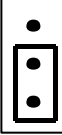



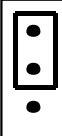

D/A CH1 is External D/A CH2 is External	<div style="display: flex; justify-content: space-around; align-items: center;"> <div style="text-align: center;"> <p>JP2 or JP7</p> <p>INTREF</p> <p>ExtRef1</p>  </div> <div style="text-align: center;"> <p>JP6</p> <p>INTREF</p> <p>ExtRef2</p>  </div> </div>
D/A CH1 is External D/A CH2 is Internal	<div style="display: flex; justify-content: space-around; align-items: center;"> <div style="text-align: center;"> <p>JP2 or JP7</p> <p>INTREF</p> <p>ExtRef1</p>  </div> <div style="text-align: center;"> <p>JP6</p> <p>INTREF</p> <p>ExtRef2</p>  </div> </div>
D/A CH1 is Internal D/A CH2 is External	<div style="display: flex; justify-content: space-around; align-items: center;"> <div style="text-align: center;"> <p>JP2 or JP7</p> <p>INTREF</p> <p>ExtRef1</p>  </div> <div style="text-align: center;"> <p>JP6</p> <p>INTREF</p> <p>ExtRef2</p>  </div> </div>
D/A CH1 is Internal D/A CH2 is Internal	<div style="display: flex; justify-content: space-around; align-items: center;"> <div style="text-align: center;"> <p>JP2 or JP7</p> <p>INTREF</p> <p>ExtRef1</p>  </div> <div style="text-align: center;"> <p>JP6</p> <p>INTREF</p> <p>ExtRef2</p>  </div> </div>

Figure 2.8 D/A Voltage Setting

The internal voltage can be set to -5V or -10V which is selected by JP1 for the ACL-8112DG/HG and JP8 for the ACL-8112PG. Possible configurations are specified in Figure 2.9. Note that the internal reference voltage is used only when JP2 of the ACL-8112DG/HG or JP6 and JP7 of the ACL-8112PG is set to internal reference.

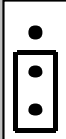
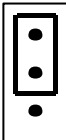
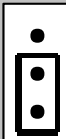
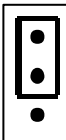
Reference Voltage is -5V (default setting)	<div style="display: flex; flex-direction: column; align-items: center;"> <div style="margin-bottom: 10px;">-10V</div> <div style="margin-bottom: 10px;">-5V</div>  </div>	JP1 / JP8
Reference Voltage is -10V	<div style="display: flex; flex-direction: column; align-items: center;"> <div style="margin-bottom: 10px;">-10V</div> <div style="margin-bottom: 10px;">-5V</div>  </div>	JP1 / JP8

Figure 2.9 Internal Reference Voltage Setting

2.12 A/D Input Range Setting

(This section is for the ACL-8112PG only)

The A/D input range of the ACL-8112PG can be set to $\pm 5V$ or $\pm 10V$ using JP9.

A/D Input Range is +/- 5V (default setting)	<div style="display: flex; flex-direction: column; align-items: center;"> <div style="margin-bottom: 10px;">10</div> <div style="margin-bottom: 10px;">5</div>  </div>	JP9
A/D Input Range is +/- 10V	<div style="display: flex; flex-direction: column; align-items: center;"> <div style="margin-bottom: 10px;">10</div> <div style="margin-bottom: 10px;">5</div>  </div>	JP9

3

Signal Connections

This chapter describes the connectors of the ACL-8112. Signal connections between the ACL-8112 and external devices, such as daughter boards or other devices are also outlined.

3.1 Connectors Pin Assignment

The ACL-8112 comes equipped with two 20-pin insulation displacement connectors - CN1 and CN2 and one 37-pin D-type connector - CN3. CN1 and CN2 are located on the board and CN3 is located at the rear plate.

CN1 is used for digital output signals, CN2 is used for digital input signals and CN3 is used for analog input, analog output and timer/counter's signals. The pin assignment for each connector is illustrated in Figure 3.1 ~ Figure 3.3.

- **CN2:** Digital Signal Input (*DI 0 - 15*)

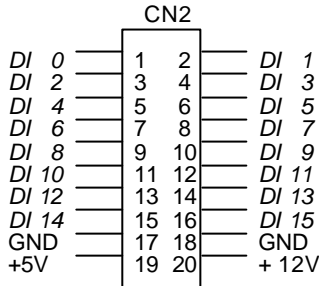


Figure 3.1. Pin Assignment of CN2

- **CN1:** Digital Signal Output (*DO 0 - 15*)

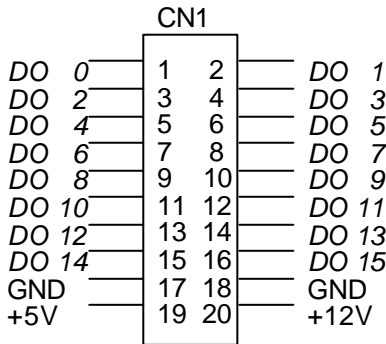


Figure 3.2. Pin Assignment of CN1

Legend:

DO n: Digital output signal channel *n*

DI n: Digital input signal channel *n*

GND: Digital ground

- CN3: Analog Input/Output & Counter/Timer**
 (for single-ended connection: ACL-8112DG/HG/PG)

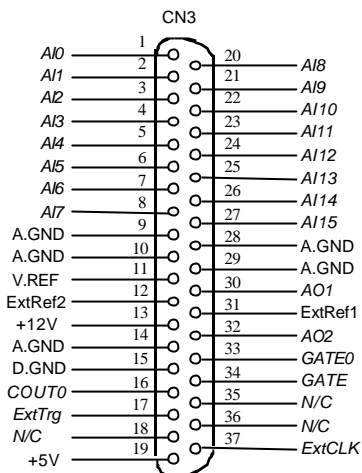


Figure 3.3a. Pin Assignment of CN3

- CN3: Analog Input/Output & Counter/Timer**
 (for differential connection:: ACL-8112DG/HG)

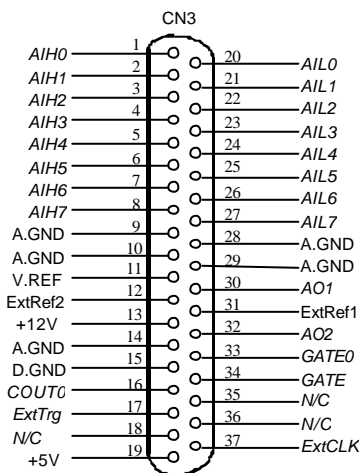


Figure 3.3b. Pin Assignment of CN3

Legend:

AI_n: Analog Input Channel *n* (single-ended)
AIH_n: Analog High Input Channel *n* (differential)
AIL_n: Analog Low Input Channel *n* (differential)
ExtRef n: External Reference Voltage for D/A CH *n*
AO_n: Analog Output Channel *n*
ExtCLK: External Clock Input
ExtTrig: External Trigger Signal
CLK: Clock input for 8254
GATE: Gate input for 8254
COU_{T n}: Signal output of Counter *n*
V.ERF: Voltage Reference
A.GND: Analog Ground
GND: Ground

3.2 Analog Input Signal Connection

The ACL-8112 provides 16 single-ended or 8 differential analog input channels. The analog signal can be converted to digital value by the A/D converter. To avoid ground loops and obtain a more accurate measurement of the A/D conversion, it is quite important to understand the signal source type and how to choose the correct analog input mode: signal-ended or differential. The ACL-8112 allows for the configuration through jumpers.

Single-ended Mode:

For single-ended mode, only one input is connected relative to ground and is suitable for connecting with a *floating signal source*. Floating source means it does not have any connection to ground. Figure 3.4 shows a single-ended connection. Note that when two or more floating sources are connected, the sources must be connected to common ground.

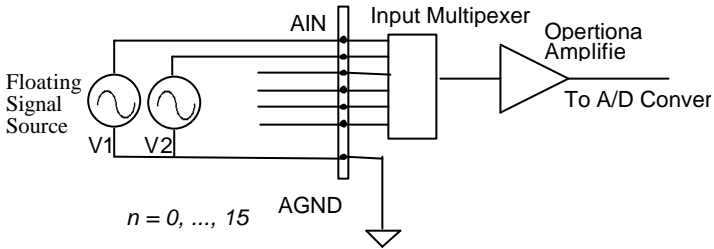


Figure 3.4 Floating source and single-ended

Differential input mode:

The differential input mode provides two inputs that respond to signal voltage differences between them. If the signal source is ground-referenced, the differential mode can be used to reduce ground loops. Figure 3.5 shows the connection for differential input mode. However, even if the signal source is locally grounded, the single-ended configuration can still be used when the V_{cm} (Common Mode Voltage) is very small and the effect of ground loop is negligible .

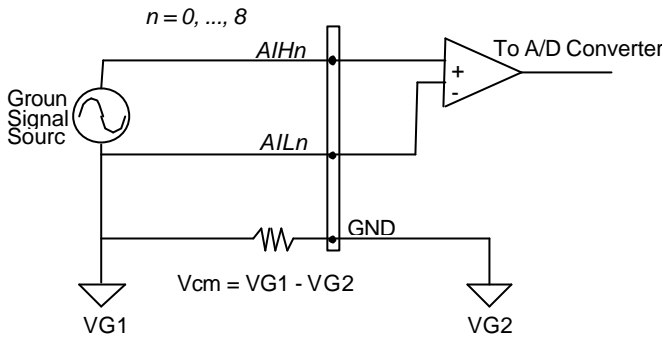


Figure 3.5 Ground source and differential input

A differential mode must be used when the signal source is differential. A differential source means the ends of the signal are not grounded. To avoid dangerously high voltages between the local ground of the signal and the ground of the PC system, a shorted ground path must be connected. Figure 3.6 shows the connection for a differential source.

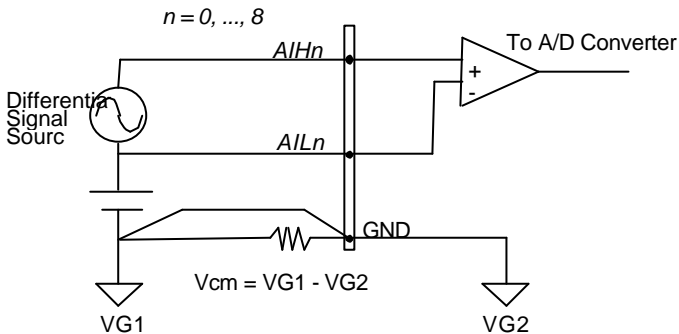


Figure 3.6 Differential source and differential input

If your signal sources contain both a floating and a local ground, you should use the differential mode, with the floating signal source connected as Figure 3.7 .

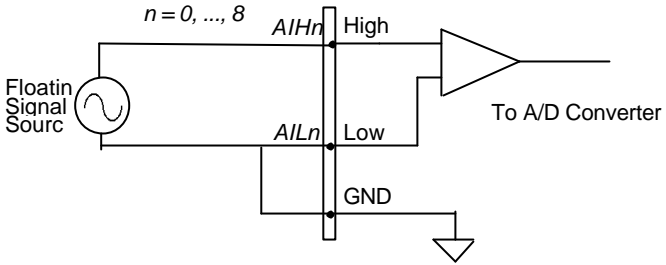


Figure 3.7 Floating source and differential input

3.3 Analog Output Signal Connection

The ACL-8112 has two unipolar analog output channels. To make the D/A output connections from the appropriate D/A output, please refer Figure 3.8.

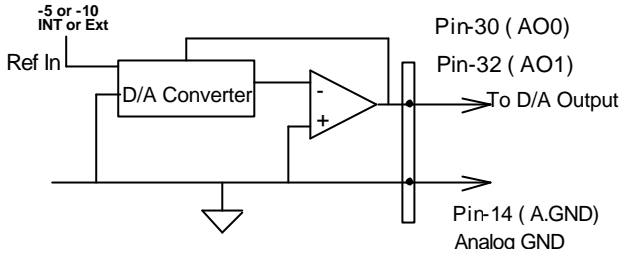


Figure 3.8 Connection of Analog Output Connection

3.4 Digital I/O Connection

The ACL-8112 provides 16 digital input and 16 digital output channels through CN1 and CN2 on board. The digital I/O signals are fully TTL/DTL compatible. Details of the digital I/O signal specification can be referred to in section 1.3.

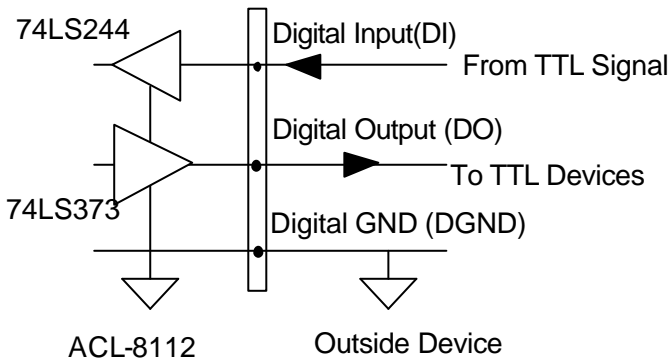


Figure 3.9 Digital I/O Connection

3.5 Timer / Counter Connection

The ACL-8112 has an interval 8254 timer/counter on board. It offers 3 independent 16-bit programmable down counters; counter 1 and counter 2 are cascaded together as a timer pacer trigger for A/D conversions and counter 0 is free for user applications. Figure 3.10 shows the 8254 timer/counter connection.

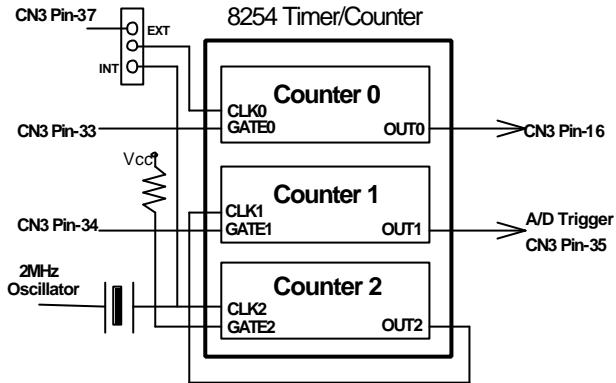


Figure 3.10 Block Diagram of 8254 Timer/Counter

The clock source of counter 0 can be internal or external, with the gate being controlled externally and the output sent to CN3. As for counter 1 and counter 2, the clock source is internally fixed, while the gate can be controlled externally and the output sent to CN3 too. All timer/counter signals are TTL compatible.

3.6 Daughter Board Connection

The ACL-8112 can be connected with any of the five following daughter boards, ACLD-8125, ACLD-9137, ACLD9182, ACLD9185, and ACLD9188. The functionality and connections are specified below.

3.6.1 Connect with ACLD-8125

The ACLD-8125 has a 37-pin D-sub connector, which can be connected to the ACL-8112HG through a 37-pin assemble cable. The most outstanding feature of this daughter board is the CJC (cold junction compensation) circuit on board. You can directly connect a thermo-coupler to the ACL-8125 board.

3.6.2 Connect with ACLD-9137

The ACLD-9137 is a direct connector for the ACL-8112 card which is equipped with a 37-pin D-sub connector. This board provides a simple way for connecting simple applications that do not need complex signal conditioning before an A/D conversion is performed.

3.6.3 Connect with ACLD-9182

The ACLD-9182 is a 16 channel isolated digital input board. This board is connected to CN1 of the ACL-8112 via a 20-pin ribbon cable. The advantage of this board is the 500Vdc isolation voltage that it provides, thus it can protect your PC system from damage when an abnormal input signal occurs.

3.6.4 Connect with ACLD-9185

The ACLD-9185 is a 16 channel SPDT relay output board. This board is connected to CN2 of the ACL-8112 via a 20-pin ribbon cable. By using this board, you can control external devices through digital output signals.

3.6.5 Connect with ACLD-9188

The ACLD-9188 is a general purpose terminal board for all cards which comes equipped with a 37-pin D-sub connector.

4

Registers

A detailed description of the registers and its structure for the ACL-8112 are specified in this chapter. This information is useful for programmers who wish to handle the card through low-level programming. Hence, a low level programming syntax is also introduced. This information can also help beginners learn how to operate the ACL-8112 in the shortest possible time.

4.1 I/O Port Address

The ACL-8112 requires 16 consecutive addresses in the PC I/O address space. Table 4.1 shows the I/O address of each register with respect to the base address. The function of each register is also listed.

I/O Address	Read	Write
Base + 0	Counter 0	Counter 0
Base + 1	Counter 1	Counter 1
Base + 2	Counter 2	Counter 2
Base + 3	Not Used	8254 Counter Control
Base + 4	A/D low byte	CH1 D/A low byte
Base + 5	A/D high byte	CH1 D/A high byte
Base + 6	DI low byte	CH2 D/A low byte
Base + 7	DI high byte	CH2 D/A high byte
Base + 8	Not Used	Clear Interrupt Request
Base + 9	Not Used	A/D Range Control
Base + 10	Not Used	Channel MUX
Base + 11	Not Used	Mode Control
Base + 12	Not Used	Software A/D trigger
Base + 13	Not Used	DO low byte
Base + 14	Not Used	DO high byte
Base + 15	Not Used	Not Used

Table 4.1 I/O Address

4.2 A/D Data Registers

The ACL-8112 series has a 12-bit resolution for each analog input channel, the digital data is store in the A/D data registers after an A/D conversion. The A/D data is put into two 8 bits registers. The lowest byte data (8 LSBs) are placed in address BASE+4 and the highest byte data (4 MSBs) are placed in address BASE+5. A DRDY bit is used to indicate the status of the A/D conversion. When the DRDY goes low, it means an A/D conversion is complete.

Address : BASE + 4 and BASE + 5

Attribute: read only

Data Format:

Bit	7	6	5	4	3	2	1	0
BASE+4	AD7	AD6	AD5	AD4	AD3	AD2	AD1	AD0
BASE+5	0	0	0	DRDY	AD11	AD10	AD9	AD8

AD11 AD0: Analog to digital data. AD11 is the Most Significant Bit(MSB). AD0 is the Least Significant Bit(LSB).

DRDY: Data Ready Signal.

1: A/D data is not ready

0: A/D conversion is completed.

It will be set to 1, when reading the low byte.

4.3 A/D Channel Multiplexer Register

This register is used to control the A/D channels. It's a write only register. When a channel number is written to the register, the multiplexer switches to another channel and waits until there's a conversion and switches again.

Address : BASE + 10

Attribute: write only

Data Format:

Bit	7	6	5	4	3	2	1	0
BASE+10	X	X	CS1	CS0	CL3	CL2	CL1	CL0

CLn: multiplexer channel number (n=0~3).

CL3 is MSB, and CL0 is LSB.

CS0, CS1: Single-ended and Differential Selection (ACL-8112DG/HG only)

CS0 and CS1 are used to determine which MPC508A chip is selected. The MPC508A is used to multiplex between channels, when CS0 is set to 1, the analog input channels from 0 to 7 are selectable, and when CS1 is set to 1, channels 8 to 15 are selectable. When both CS0 and CS1 are set to 1, it means the analog inputs are in differential mode. The possible analog input channel selections combination is listed in the table below.

For ACL-8112PG, CS0 and CS1 always be zero, CL3~CL0 is used to select the 16 single-ended channels.

Bit Channel	7 X	6 X	5 CS1	4 CS0	3 CL3	2 CL2	1 CL1	0 CL0
S.E. CH0	X	X	0	1	0	0	0	0
S.E. CH1	X	X	0	1	0	0	0	1
S.E. CH2	X	X	0	1	0	0	1	0
S.E. CH3	X	X	0	1	0	0	1	1
S.E. CH4	X	X	0	1	0	1	0	0
S.E. CH5	X	X	0	1	0	1	0	1
S.E. CH6	X	X	0	1	0	1	1	0
S.E. CH7	X	X	0	1	0	1	1	1
S.E. CH8	X	X	1	0	1	0	0	0
S.E. CH9	X	X	1	0	1	0	0	1
S.E. CH10	X	X	1	0	1	0	1	0
S.E. CH11	X	X	1	0	1	0	1	1
S.E. CH12	X	X	1	0	1	1	0	0
S.E. CH13	X	X	1	0	1	1	0	1
S.E. CH14	X	X	1	0	1	1	1	0
S.E. CH15	X	X	1	0	1	1	1	1
D.I. CH0	X	X	1	1	0	0	0	0
D.I. CH1	X	X	1	1	0	0	0	1
D.I. CH2	X	X	1	1	0	0	1	0
D.I. CH3	X	X	1	1	0	0	1	1
D.I. CH4	X	X	1	1	0	1	0	0
D.I. CH5	X	X	1	1	0	1	0	1
D.I. CH6	X	X	1	1	0	1	1	0
D.I. CH7	X	X	1	1	0	1	1	1

S.E.: Single-ended Analog Input

D.I.: Differential Analog Input

4.4 A/D Range Control Register

The A/D range register is used to adjust the analog input ranges for the A/D channels. Two factor effects the input range: Gain and Polarity. For the ACL-8112PG, This register controls the PGA (programmable gain) directly and there is no Unipolar setting. When a different gain value is set, the analog input range is changed. For the ACL-8112DG/HG, both the PGA and polarity are controlled by this register. Table 4.2 shows the relationship between the register data and the A/D input range.

Address : BASE + 9

Attribute: write only

Data Format:

Bit	7	6	5	4	3	2	1	0
BASE+9	X	X	X	X	G3	G2	G1	G0

G0~G3: Gain / Range selection, G3 is not used for ACL-8112PG

(This table is only for the ACL-8112HG: High Gain Card)

G3	G2	G1	G0	GAIN	Bipolar or Unipolar	Input Range
0	0	0	0	1	Bipolar	$\pm 5V$
0	0	0	1	10	Bipolar	$\pm 0.5V$
0	0	1	0	100	Bipolar	$\pm 0.05V$
0	0	1	1	1,000	Bipolar	$\pm 0.005V$
0	1	0	0	1	Unipolar	0V ~ 10V
0	1	0	1	10	Unipolar	0V ~ 1V
0	1	1	0	100	Unipolar	0V ~ 0.1V
0	1	1	1	1,000	Unipolar	0V ~ 0.01V
1	0	0	0	0.5	Bipolar	$\pm 10V$
1	0	0	1	5	Bipolar	$\pm 1V$
1	0	1	0	50	Bipolar	$\pm 0.1V$
1	0	1	1	500	Bipolar	$\pm 0.01V$
1	1	0	0	1	Unipolar	N/A
1	1	0	1	10	Unipolar	N/A
1	1	1	0	100	Unipolar	N/A
1	1	1	1	1,000	Unipolar	N/A

Table 4.2-1 Function of the Gain Control Bits

(This table is only for the ACL-8112DG: Low Gain Card)

G3	G2	G1	G0	GAIN	Bipolar or Unipolar	Input Range
1	0	0	0	0.5	Bipolar	$\pm 10V$
0	0	0	0	1	Bipolar	$\pm 5V$
0	0	0	1	2	Bipolar	$\pm 2.5V$
0	0	1	0	4	Bipolar	$\pm 1.25V$
0	0	1	1	8	Bipolar	$\pm 0.625V$
0	1	0	0	1	Unipolar	0V ~ 10V
0	1	0	1	2	Unipolar	0V ~ 5V
0	1	1	0	4	Unipolar	0V ~ 2.5V
0	1	1	1	8	Unipolar	0V ~ 1.25V

Table 4.2-2 Function of the Gain Control Bits

For the ACL-8112PG, the maximum range is changed by hardware jumper configuration. JP9 is used to change the maximum analog input range from $\pm 5V$ or $\pm 10V$. If JP9 is set as $\pm 5V$, the analog input range is listed as below.

G3	G2	G1	G0	GAIN	Analog Input Range
0	0	0	0	1	$\pm 5V$
0	0	0	1	2	$\pm 2.5V$
0	0	1	0	4	$\pm 1.25V$
0	0	1	1	8	$\pm 0.625V$
0	1	0	0	16	$\pm 0.3125V$

Table 4.2-3 Analog Input Range (max. is $\pm 5V$)

If JP9 is set as $\pm 10V$, the analog input range is listed as below

G3	G2	G1	G0	GAIN	Analog Input Range
0	0	0	0	1	$\pm 10V$
0	0	0	1	2	$\pm 5V$
0	0	1	0	4	$\pm 2.5V$
0	0	1	1	8	$\pm 1.25V$
0	1	0	0	16	$\pm 0.625V$

Table 4.2-4 Analog Input Range (max. is $\pm 10V$)

4.5 A/D Operation Mode Control Register

The A/D operation includes the analog signal conversion and the data transformation. This register controls the internal trigger mode and data transformation method. It is initialized by a software trigger or program polling transfer when the PC is reset or powered on. The details of the A/D operation are described in Chapter 5. There are four operation modes.

Address : BASE + 11

Attribute: write only

Data Format:

Bit	7	6	5	4	3	2	1	0
BASE+11	X	X	X	X	X	S2	S1	S0

S2	S1	S0	Operation Mode Description
0	0	0	Internal trigger is disable
0	0	1	software trigger and program polling (default)
0	1	0	timer pacer trigger and DMA transfer
1	1	0	timer pacer trigger and interrupt transfer.

Note:

1. When your system is powered on or reset, the A/D operation will be initialized as " software trigger or program polling" mode.
 2. No matter which mode is selected, the external trigger is available if JP4 is set as external trigger.
 3. As long as the DMA mode is not used, the program polling mode is always selectable. The synchronization of the A/D conversion and data transfer should be of a concern when using program polling mode.
 4. An interrupt will occur at the end of each conversion when the "timer pacer trigger and interrupt transfer" mode is selected. If you want to use the pacer trigger and interrupt transfer mode, you must enable the IRQ level.
-

4.6 Interrupt Status Register

The Interrupt Status Register is used to clear the interrupt status so a new interrupt can be generated. If the ACL-8112 is in interrupt data transfer mode, a hardware status flag will be set after each A/D conversion. You must clear the status flag by writing any data to this register, so that the ACL-8112 can generate a new or next interrupt if a new A/D conversion is to happen.

Address : BASE + 8

Attribute: write only

Data Format:

Bit	7	6	5	4	3	2	1	0
BASE+8	X	X	X	X	X	X	X	X

4.7 Software Trigger Register

If you want to generate a trigger pulse for the ACL-8112 to perform an A/D conversion, you need to write data to this register, this will trigger the A/D converter.

Address : BASE + 12

Attribute: write only

Data Format:

Bit	7	6	5	4	3	2	1	0
BASE+12	X	X	X	X	X	X	X	X

4.8 Digital I/O register

There are 16 digital input channels and 16 digital output channels provided by the ACL-8112. The address Base + 6 and Base + 7 are used for the digital input channels, and the address Base + 13 and Base + 14 are used for digital output channels.

Address : BASE + 6 & BASE + 7

Attribute: read only

Data Format:

Bit	7	6	5	4	3	2	1	0
Base + 6	DI7	DI6	DI5	DI4	DI3	DI2	DI1	DI0
Base + 7	DI15	DI14	DI13	DI12	DI11	DI10	DI9	DI8

Address : BASE + 13 & BASE + 14

Attribute: write only

Data Format:

Bit	7	6	5	4	3	2	1	0
Base + 13	DO7	DO6	DO5	DO4	DO3	DO2	DO1	DO0
Base + 14	DO15	DO14	DO13	DO12	DO11	DO10	DO9	DO8

4.9 D/A Output Register

The D/A converter will convert the D/A output register data to an analog signal. The register data at address Base + 4 and Base + 5 are used for D/A channel 1 and Base +6 and Base +7 for D/A channel 2.

Address : BASE + 4 & BASE + 5

Attribute: write only

Data Format: (for D/A Channel 1)

Bit	7	6	5	4	3	2	1	0
Base + 4	DA7	DA6	DA5	DA4	DA3	DA2	DA1	DA0
Base + 5	X	X	X	X	DA11	DA10	DA9	DA8

Address : BASE + 6 & BASE + 7

Attribute: write only

Data Format: (for D/A Channel 2)

Bit	7	6	5	4	3	2	1	0
Base + 6	DA7	DA6	DA5	DA4	DA3	DA2	DA1	DA0
Base + 7	X	X	X	X	DA11	DA10	DA9	DA8

DA0 is the LSB and DA11 is the MSB of the 12 bits data.

X: don't care

Note: The D/A registers are "*double buffered*" so that the D/A analog output signals will not updated until the second (*high*) byte contains data or written to. This will ensure a single step transition for a D/A conversion.

4.10 Internal Timer/Counter Register

Two 8254 counters are used for periodical triggering of the A/D converter, with one left for user applications. The 8254 occupies 4 I/O address locations in the ACL-8112 as listed below. Users may refer to NEC's or Intel's data sheet for full detail of the 8254. Summarized information is specified in Appendix B.

Address : BASE + 0 ~ BASE + 3

Attribute: read / write

Data Format:

Base + 0	Counter 0 Register (R/W)
Base + 1	Counter 1 Register (R/W)
Base + 2	Counter 2 Register (R/W)
Base + 3	8254 CONTROL BYTE

5

Operation Theory

The operation theory of the ACL-8112 card is described in this chapter. The function description include the A/D conversion, D/A conversion, digital I/O and counter / timer. The operation theory can help you understand how to manipulate or program the ACL-8112.

5.1 A/D Conversion

Before programming the ACL-8112 to perform an A/D conversion, you need to understand the following issues:

- A/D conversion procedure
- A/D trigger mode
- A/D data transfer mode
- Signal Connection

5.1.1 A/D Conversion Procedure

An A/D conversion is initiated when a trigger source is triggered, the A/D converter will start to convert the signal to a digital value. The ACL-8112 provides three trigger modes, see section 5.1.2.

During an A/D conversion, the **DRDY** bit of the A/D data register is cleared to indicate the data is not ready. After a conversion is completed, the **DRDY** bit will return a low (0) signal. This indicates users now can read the converted data from the A/D data registers. Please refer section 4.2 for the A/D data format.

The A/D data should now be transferred into the PC's memory for further processing. The ACL-8112 provides three data transfer modes that allow users to optimize their DAS system. Refer to section 5.1.3 for data transfer modes.

5.1.2 A/D Trigger Modes

The ACL-8112's A/D conversion can be triggered by either an *Internal* or *External* trigger source. JP5 is used to set either internal or external triggers. Please refer to section 2.8 for details. Whenever an external source is set, the internal sources are disabled.

The two internal sources can either be software or timer pacer triggered which is controlled by the A/D operation mode control register (BASE+11). In total there are three different trigger sources possible to the ACL-8112. The different trigger conditions are specified below:

Software trigger

This trigger source is software controllable. That is, the A/D conversion is initiated when any value is written into the software trigger register (BASE+12). This trigger mode is suitable for low speed A/D conversions. Under this mode, the timing of the A/D conversion is fully controlled by the software. However, it is difficult to have total control over a fixed A/D conversion rate unless another timer interrupt service routine is used to generate a fixed trigger rate.

Timer Pacer Trigger

An on-board 8254 timer/counter chip is used to provide a trigger source for the A/D conversion at a fixed rate. Two counters are cascaded together to generate a trigger pulse at precise intervals. Refer to section 5.4 for details of the 8254 architecture. This mode is ideal for high speed A/D conversions. It can be combined with DMA or interrupt data transfer. It is recommended that this mode be used for applications that require a fixed and precise A/D sampling rate.

External Trigger

Through pin-17 of CN3 (*ExtTrig*), the A/D conversion can also be performed when a rising edge from an external source occurs. The conversion rate of this mode is more flexible than the previous two modes, because users can easily control an external device. An external trigger can be combined with DMA transfer, interrupt data transfer, or even program polling data transfer. Generally, the interrupt data transfer is used when external trigger mode is used.

5.1.3 A/D Data Transfer Modes

On the ACL-8112, there are three A/D data transfer modes that can be used when A/D conversion is completed. The data transfer mode is controlled by the mode control register (BASE+11). The different transfer modes are described below:

Software Data Transfer

Usually, this mode is used with software A/D trigger mode. After the A/D conversion is triggered by the software, the software will poll the *DRDY* bit until it becomes high. Whenever the low byte of the A/D data is read, the *DRDY* bit will be cleared to indicate the data has been read.

It is possible to read the A/D converted data without polling. The A/D conversion time will not exceed 8 μ s on the ACL-8112 card. Hence, after a software trigger, the software can wait for at least 8 μ s then read the A/D register without polling.

Interrupt Transfer

The ACL-8112 provides hardware interrupt capability. Under this mode, an interrupt signal is generated when an A/D conversion has ended and the data is ready to be read. It is useful to combine the interrupt transfer mode with the timer pacer trigger mode. Under this combination, the data transfer is essentially asynchronous with the controlling software.

When the interrupt transfer mode is used, you have to set the interrupt IRQ level using hardware jumpers. Refer to section 2.10 for IRQ jumper setting. After an A/D conversion is completed, a hardware interrupt will be inserted and its corresponding ISR (Interrupt Service Routine) will be invoked and executed. The converted data is transferred by the ISR program.

DMA Transfer

The DMA (Direct Memory Access) allows data to be transferred directly between the ACL-8112 and the PC memory at the fastest possible rate, without using any CPU time. The A/D data is automatically transferred to PC's memory after conversion is completed.

The DMA transfer mode is very complex to program. It is recommended that a high level programming library be used to operate this card in this mode. If you wish to program a software which can handle DMA data transfer, refer to information about the 8237 DMA controller.

5.2 D/A Conversion

The operation of the D/A conversion is simpler than the A/D operation. You only need to write the digital values into the D/A data registers and the corresponding voltage will be outputted through AO1 or AO2. Refer to section 4.9 for information about the D/A data registers. The mathematical relationship between the digital number DAn and the output voltage is formulated as follows:

$$V_{out} = -V_{ref} \times \frac{DAn}{4096}$$

where V_{ref} is the reference voltage, V_{out} is the output voltage, and DAn is the digital value in the D/A data registers.

Before performing the D/A conversion, users should be aware of the D/A reference voltage which is set by JP1, JP2 and JP3. Please refer to section 2.11 for jumper setting. The reference voltage will effect the output voltage. If the reference voltage is -5V, the D/A output scaling will be 0~5V. If the reference voltage is -10V, the D/A output scaling will be 0~10V.

Note that the D/A registers are "**double buffered**", so that the D/A analog output signals will not be updated until the high byte is written. When writing 12-bit data to the D/A registers, the low byte must be written to first before the high byte. This procedure will ensure a single step transition for a D/A conversion.

5.3 Digital Input and Output

To program the digital I/O operation is fairly straight forward. The digital input operation just reads data from its corresponding registers, and the digital output operation just writes data to its corresponding registers. The digital I/O registers are shown in section 4.9. Note that the DIO data channel can only be read or written in forms of 8-bits. It is impossible to access individual bits.

5.4 Timer/Counter Operation

The ACL-8112 has an 8254 interval timer/counter on board. Refer to section 3.5 for signal connection and the configuration of the counter.

The 8254 Timer / Counter Chip

The Intel (NEC) 8254 contains three independent, programmable, multi-mode 16 bit counter/timers. The three independent 16 bit counters can be clocked at rates from DC to 5 MHz. Each counter can be individually programmed with 6 different operating modes by appropriately formatted control words. The most commonly uses for the 8254 in microprocessor based systems are:

- programmable baud rate generator
- event counter
- binary rate multiplier
- real-time clock
- digital one-shot
- motor control

For more information about the 8254 , please refer to the NEC Microprocessors and peripherals or Intel Microsystems Components Handbook.

Pacer Trigger Source

Counter 1 and 2 are cascaded together to generate a timer pacer trigger for the A/D conversion. The frequency of the pacer trigger is software controllable. The maximum pacer signal rate is $2\text{MHz}/4=500\text{K}$ which exceeds the maximum A/D conversion rate of the ACL-8112. The minimum signal rate is $2\text{MHz}/65535/65535$, which is a very slow frequency that user may never use.

General Purpose Timer/ Counter

Counter 0 is free for user applications. The clock source, gate control signal and the output signal are sent via CN3. The general purpose timer / counter can be used as an event counter, used for measuring frequency or other functions. See the 'Timer/Counter Applications' section for examples.

I/O Address

The 8254 in the ACL-8112 occupies 4 I/O address as shown below.

BASE + 0	LSB OR MSB OF COUNTER 0
BASE + 1	LSB OR MSB OF COUNTER 1
BASE + 2	LSB OR MSB OF COUNTER 2
BASE + 3	CONTROL BYTE

The programming of the 8254 is control by registers BASE+0 to BASE+3. The function of each register is specified in this section. For more detailed information, refer to the 8254 handbook.

Control Byte

Before loading or reading any of these individual counters, the control byte (BASE+3) must be loaded first. The format of the control byte is:

Bit	7	6	5	4	3	2	1	0
	SC1	SC0	RL1	RL0	M2	M1	M0	BCD

◆ SC1 & SC0 - Select Counter (Bit7 & Bit 6)

SC1	SC0	COUNTER
0	0	Select Counter 0
0	1	Select Counter 1
1	0	Select Counter 2
1	1	ILLEGAL

◆ RL1 & RL0 - Select Read/Load operation (Bit 5 & Bit 4)

RL1	RL0	OPERATION
0	0	COUNTER LATCH FOR STABLE READ
0	1	READ/LOAD LSB ONLY
1	0	READ/LOAD MSB ONLY
1	1	READ/LOAD LSB FIRST, THEN MSB

◆ M2, M1 & M0 - Select Operating Mode (Bit 3, Bit 2, & Bit 1)

M2	M1	M0	MODE
0	0	0	0
0	0	1	1
x	1	0	2
x	1	1	3
1	0	0	4
1	0	1	5

◆ BCD - Select Binary/BCD Counting (Bit 0)

0	16-BITS BINARY COUNTER
1	BINARY CODED DECIMAL (BCD) COUNTER (4 DIGITAL)
Note	The count of the binary counter is from 0 up to 65,535 and the count of the BCD counter is from 0 up to 9,999

Mode Definitions

With the 8254, six operating modes can be selected. they are:

- **Mode 0:** Interrupt on Terminal Count
- **Mode 1:** Programmable One-Shot.
- **Mode 2:** Rate Generator
- **Mode 3:** Square Wave Rate Generator
- **Mode 4:** Software Triggered Strobe
- **Mode 5:** Hardware Triggered Strobe

Detail description of these six modes is written in Intel Microsystems Components Handbook Volume II Peripherals.

6

Calibration & Utilities

With data acquisition processes, knowing how to calibrate your measurement devices to maintain its accuracy is very important. Users can calibrate the analog input and analog output channels under user's operating environment to optimize the accuracy of the equipment. This chapter will guide you through how to calibrate the ACL-8112.

6.1 What do you need

Before calibrating your ACL-8112 card, you should prepare some equipment for the calibration:

- Calibration program: The calibration program 8112util.exe. Once the program is executed, it will guide you through the calibration process. This program is included in the delivered package.
- A 5 1/2 digit multimeter (6 1/2 is recommended)
- A voltage calibrator or a very stable and noise free DC voltage generator.

6.2 VR Assignment

There are 6 variable resistors (VR) on the ACL-8112DG/HG board. These allow you to make adjustment to the A/D and D/A channels. The function of each VR is specified as Table 6.1-1.

VR1	A/D full scale adjustment
VR2	A/D bipolar offset adjustment
VR3	D/A channel 1 full scale adjustment
VR4	D/A channel 2 full scale adjustment
VR5	A/D programmable amplifier offset adjustment
VR6	A/D unipolar offset adjustment

Table 6.1-1 Function of VRs in ACL-8112DG/HG

There are five variable resistors (VR) on the ACL-8112PG board. These allow you to make adjustment to the A/D and D/A channels. The function of each VR is specified as Table 6.1-2.

VR1	A/D full scale adjustment
VR2	A/D offset adjustment
VR3	D/A channel 1 full scale adjustment
VR4	D/A channel 2 full scale adjustment
VR5	A/D programmable amplifier offset adjustment

Table 6.1-2 Function of VRs in ACL-8112PG

6.3 D/A Adjustment

6.3.1 D/A CH1 calibration

1. Connect the DVM <+> to CN3.AO1<PIN 30>, and the VDM<-> to CN3.GND <PIN 10>.
2. Write a digital value into the D/A register (BASE+4 and BASE+5).
3. Trim VR3 until **+5 V** appears on the DVM.

6.3.2 D/A CH2 calibration

1. Connect the DVM <+> to CN3.AO2<PIN 32>, and the DVM<-> to CN3.GND <PIN 10>.
2. Write a digital value into the D/A register (BASE+6 and BASE+7).
3. Trim VR4 until **+5 V** appears on the DVM.

6.4 A/D Programmable Gain Amplifier adjustments

This setup is to reduce the PGA offset voltage.

1. Connect CN3.AI0 <PIN 2> to CN3.GND <PIN 9>
2. Trim VR5 until the reading displayed on the monitor of the 8112UTIL.exe software is approximately 0 and below 0.50.

6.5 A/D Adjustment

6.5.1 Bipolar Calibration

1. Adjust the voltage calibrator's voltage output to **-4.9987V**. Connect the voltage calibrator's <+> to CN3.AI0 <PIN 1> and the voltage calibrator's<-> to CN3.AGND<PIN 9>.
2. Trim VR2 to obtain a reading that toggles between 0 and 1. This value is displayed on the monitor of the calibration program 8112UTIL.exe. Then proceed to the next step.
3. Adjust the voltage calibrator's voltage output to **+4.9963V**. Connect the voltage calibrator's <+> to CN3.AI0 <PIN 1> and the voltage calibrator's <-> to CN3.AGND<PIN 9>.
4. Trim VR1 to obtain a reading that toggles between 4094 and 4095. This value is displayed on the monitor of the calibration program 8112UTIL.exe.

6.5.2 Unipolar Calibration(Only for ACL-8112DG/HG)

1. Adjust the voltage calibrator's voltage output to **-4.9987V** . Connect the voltage calibrator's <+> to CN3.AI0 <PIN 1> and the voltage calibrator's<-> to CN3.AGND<PIN 9>.
2. Trim VR2 to obtain a reading that toggles between 0 and 1. This value is displayed on the monitor of the calibration program 8112UTIL.exe. Then proceed to the next step.
3. Adjust the voltage calibrator's voltage output to **+1.22mV**. Connect the voltage calibrator's <+> to CN3.AI0 <PIN 1> and the voltage calibrator's<-> to CN3.AGND<PIN 9>.
4. Trim VR6 to obtain a reading that toggles between 0 and 1. This value is displayed on the monitor of the calibration program 8112UTIL.exe. Then proceed to the next step
5. Adjust the voltage calibrator's voltage output to **+9.9963V**. Connect the voltage calibrator's <+> to CN3.AI0 <PIN 1> and the voltage calibrator's<-> to CN3.AGND<PIN 9>
6. Trim VR1 to obtain a reading that toggles between 4094 and 4095. This value is displayed on the monitor of the calibration program 8112UTIL.exe.

A calibration utility software diskette is included in the product package. Detail calibration procedures and description can be found in the utility. Users need to execute the calibration utility and follow the procedures carefully to obtain best results and accurate measurements.

7

C Language Library

There are 23 call functions available in the C programming Library, all functions associated with the ACL-8112 are covered, it includes A/D conversions, D/A conversions, Digital Inputs and Outputs, etc.

Using the C Language library saves a lot of programming time. The library also covers support for data collection on the interrupt or DMA from the internal time clock for A/D conversions. Note that the DMA data transfer processes only on a fixed A/D channel.

Example programs are also included in this disk, this will help fast track users to understand the library. A detailed description of each function in the library is discussed in the following sections.

Note that each function name uses the following conventions:

_8112XX_function(). Where XX is will be substituted for the particular 8112 model. For example ACL-8112DG, ACL-8112HG and ACL-8112PG.

7.1 `_8112_Initial`

Description

All ACL-8112 cards are initialized according to its card number and its corresponding base address. Every ACL-8112 Multi-Function Data Acquisition Card must be initialized using this function before any other function calls are permitted.

Syntax

```
int _8112_Initial(int card_number, int type, int
                 base_address )
int _8112pg_Initial(int card_number, int
                   base_address )
```

Argument:

card_number: the card number to be initialized, only two cards can be initialized, the card number must be `CARD_1` or `CARD_2`.

Type :there are 4 different types of ACL-8112 cards, they are:
A8112B_HG: 8112 High Gain card Ver. B
A8112B_DG: 8112 Low Gain card Ver. B
A8112C_HG: 8112 High Gain card Ver. C
A8112C_DG: 8112 Low Gain card Ver. C
Note: the difference between Ver.B and Ver.C is the Multi-Scan Register. The control code for each version is slight different. For details, please refer to the hardware manual for the specific ACL-8112 card.

base_address: the I/O port base address of the card is set at 220 Hex default.

Return Code:

```
ERR_NoError
ERR_InvalidBoardNumber
ERR_BaseAddressError
```

Example:

```
#include "8112.h"

main()
{
    int ErrCode;

    Errcode = _8112_Initial( CARD_1, A8112B_HG, 0x210 );
    if ( ErrCode != ERR_NoError )
        exit(0);

    ErrCode = _8112_Initial( CARD_2, A8112B_DG, 0x220 );
    if ( ErrCode != ERR_NoError )
        exit(0);

    .
    .
    .
}
```

7.2 `_8112_Switch_Card_No`

Description

This function is used on a system that has two ACL-8112 card inserted. After initializing the two ACL-8112 cards, this function is called upon to select the default card.

Note: This library only has support for two ACL-8112 because only two DMA channels are supported by the card.

Syntax

```
int _8112_Switch_Card_No(int card_number)
int _8112pg_Switch_Card_No(int card_number)
```

Argument:

card_number: The card number to be initialized, only two cards can be initialized, the card number must be `CARD_1` or `CARD_2`.

Return Code:

```
ERR_NoError
ERR_InvalidBoardNumber
```

Example:

```
#include "8112.h"

main()
{
    _8112_Initial( CARD_1, A8112B_HG, 0x210 );
    _8112_Initial( CARD_2, A8112B_DG, 0x220 );
    /* Assume NoError when Initialize ACL-8112 */

    _8112_Switch_Card_No( CARD_1 );
    /*..... You can perform certain functions
    to Card_1 here*/

    _8112_Switch_Card_No( CARD_2 );
    /*..... You can perform certain functions
    to Card_2 here*/
}
```

7.3 _8112_DI

Description

This function is used to read data from the digital input port. There are 16 bits available for the digital inputs. Bit 0 to bit 7 of the register is defined as the **low byte** and bit 8 to bit 15 are defined as the **high byte**.

Syntax

```
int _8112_DI( int port_number, unsigned char *data )
int _8112pg_DI( int port_number, unsigned char *data )
```

Argument:

port_number: To indicate which port is read,
DI_LO_BYTE
or DI_HI_BYTE.
DI_LO_BYTE: bit 0 ~ bit 7,
DI_HI_BYTE: bit8 ~ bit15

data: return value from digital port.

Return Code:

```
ERR_NoError
ERR_BoardNoInit
ERR_PortError
```

Example:

See Demo program . Demo Program 'DI_DEMO.C'

7.4 _8112_DI_Channel

Description

This function is used to read data from the digital input channels (bit). There are 16 digital input channels on the ACL-8112. When performing this function, the digital input port is read and the value of the corresponding channel is returned.

* channel means each bit of the digital input ports.

Syntax

```
int _8112_DI_Channel(int di_ch_no, unsigned int
*data )
int _8112pg_DI(int di_ch_no, unsigned int *data )
```

Argument:

di_ch_no: the DI channel number, the value is between from 0 to 15.
data: return value, either 0 or 1.

Return Code:

```
ERR_NoError
ERR_BoardNoInit
ERR_InvalidDIChannel
```

Example:

```
#include "8112.h"

main()
{
    unsigned int data;
    int ch;

    _8112_Initial( CARD_1, A8112B_HG, 0x220 );
    /* Assume NoError when Initialize ACL-8112 */
    .
    for( ch=0; ch<16; ch++ )
    {
        _8112_DI_Channel( ch , &data );
        printf( "The value of DI channel %d is
%d.\n" , ch , data );
    }
}
```

7.5 _8112_DO

Description

This function is used to write data to the digital output port. There are 16 digital outputs on the ACL-8112, they are divided into two categories, DO_LO_BYTE and DO_HI_BYTE. Channel 0 to channel 7 is defined as the DO_LO_BYTE port and channels 8 to 15 are defined as the DO_HI_BYTE port.

Syntax

```
int _8112_DO(int port_number, unsigned char data )
int _8112pg_DO(int port_number, unsigned char data )
```

Argument:

port_number: DO_LO_BYTE or DO_HI_BYTE
data: value will be written to digital output port

Return Code:

```
ERR_NoError
ERR_BoardNoInit
ERR_PortError
```

Example:

```
#include "8112.h"

main()
{
    _8112_Initial( CARD_1, A8112B_DG, 0x220 );
    /* Assume NoError when Initialize ACL-8112/DG ver.B
    card */
    .
    .
    _8112_DO( DO_LO_BYTE , 0x55 );
    printf( "The low byte is now 0x55.\n" );

    _8112_DO( DO_HI_BYTE , 0xAA );
    printf( "The high byte is now 0xAA.\n" );

}
```

A more detailed program is provided in this software
'DO_DEMO.C'

7.6 `_8112_DA`

Description

This function is used to write data to the D/A converter. There are two Digital-to-Analog conversion channels on the ACL-8112. The resolution of each channel is 12-bit, thus the digital data ranges is from 0 to 4095.

Syntax

```
int _8112_DA(int da_ch_no, unsigned int data )
int _8112pg_DA(int da_ch_no, unsigned int data )
```

Argument:

da_ch_no: D/A channel number, `DA_CH_1` or `DA_CH_2`.
data: D/A converted value, if the value is greater than 4095, the higher 4-bits are negligent.

Return Code:

```
ERR_NoError
ERR_BoardNoInit
ERR_InvalidDAChannel
```

Example:

```
#include "8112.h"

main()
{
    _8112_Initial( CARD_1, A8112B_DG, 0x220 );
    /* Assume NoError when Initialize ACL-8112 */
    /* if the hardware setting for DA output range
    is 0~5V */

    _8112_DA( DA_CH_1 , 0x800 );
    printf( "The output voltage of CH1 is 2.5V \n" );

    _8112_DA( DA_CH_2 , 0xFFFF );
    printf( "The output voltage of CH2 is 5V \n" );

}A more complete program is provided in this software.
'DA_DEMO.C'
```

7.7 `_8112_AD_Input_Mode`

Description

This function is only used with the ACL-8112 ver. B series.

The ACL-8112 offers either 16 single-ended analog input channels or 8 differential analog input channels. If the ACL-8112 ver B card is used, you have to call this function to initialize the A/D operation.

Syntax

```
int _8112_AD_Input_Mode( int ad_mode )
```

Argument:

ad_ch_mode:

SINGLE_ENDED: the analog inputs are single-ended mode.

DIFFERENTIAL: the analog inputs are differential.

Return Code:

```
ERR_NoError  
ERR_BoardNoInit  
ERR_InvalidADChannel
```

Example:

```
#include "8112.h"  
  
main()  
{  
  int j;  
  
  _8112_Initial( CARD_1, A8112B_DG, 0x210 );  
  /* Assume ERR_NoError when Initialize ACL-8112 */  
  
  _8112_Initial( CARD_2, A8112B_HG, 0x220 );  
  /* Assume ERR_NoError when Initialize ACL-8112 */  
  
  _8112_AD_Input_Mode( DIFFERENTIAL ) ;  
  /* set analog input mode as "differential" mode */  
  /* if this function is not called, the default input  
  mode is single-ended mode */
```

```
for( j = 0; j < 7 ; j++)
{
    _8112_AD_Set_Channel( j );

    printf( "AD channel %d is now selected.\n", j );
}
_8112_Switch_Card_No(CARD_1);
_8112_AD_Input_Mode( SINGLE_ENDED) ;
for( j = 0; j < 7 ; j++)
{
    _8112_AD_Set_Channel( j );

    printf( "AD channel %d is now selected.\n", j );
}
/* the following A/D's operation is based on channel
3 */
}
```

7.8 `_8112_AD_Set_Channel`

Description

This function is used to set the AD channel by means of writing data to the multiplexer scan channel register. There are 16 single-ended A/D channels for the ACL-8112, so the channel number must be set to between 0 and 15. The initial state is channel 0, which is the default setting for the ACL-8112.

Syntax

```
int _8112_AD_Set_Channel( int ad_ch_no )
int _8112pg_AD_Set_Channel( int ad_ch_no )
```

Argument:

ad_ch_no: Number of channels to perform AD conversions:
for single-ended mode: 0-15
for differential mode: 0-7

Return Code:

```
ERR_NoError
ERR_BoardNoInit
ERR_InvalidADChannel
```

Example:

```
#include "8112.h"
main()
{
  _8112_Initial( CARD_1, A8112B_DG, 0x220 );
  /* Assume NoError when Initialize ACL-8112 */

  _8112_AD_Input_Mode( DIFFERENTIAL) ;
  /* set analog input mode as "differential" mode */

  _8112_AD_Set_Channel( 3 );
  printf( "AD channel 3 is now selected.\n" );

  ...

  /* the following A/D's operation is based on channel
  3 */
}
```

7.9 8112_AD_Set_Range

Description

This function is used to set the A/D analog input range by means of writing data to the A/D range control register. There are two factors that will effect the analog input range - *Gain* and *Input type*.

The Gain can be any of the following factors 0.5, 1, 5, 10, 50, 100, 500, and 1,000 for the ACL-8112HG card.

The input type is either *Bipolar* or *Unipolar*.

The initial value of the gain is '1' and input type is bipolar, which is pre-set by the ACL-8112 hardware. The relationship between analog input voltage range, gain and input mode are specified in the following tables:

** this table only applies to the ACL-8112HG (high gain) card.

AD_INPUT	GAIN	Input type (Bipolar or Unipolar)	Input Range
AD_B_5_V	1	Bipolar	±5V
AD_B_0_5_V	10	Bipolar	±0.5V
AD_B_0_05_V	100	Bipolar	±0.05V
AD_B_0_005_V	1,000	Bipolar	±0.005V
AD_U_10_V	1	Unipolar	0V ~ 10V
AD_U_1_V	10	Unipolar	0V ~ 1V
AD_U_0_1_V	100	Unipolar	0V ~ 0.1V
AD_U_0_01_V	1,000	Unipolar	0V ~ 0.01V
AD_B_10_V	0.5	Bipolar	±10V
AD_B_1_V	5	Bipolar	±1V
AD_B_0_1_V	50	Bipolar	±0.1V
AD_B_0_01_V	500	Bipolar	±0.01V

For the ACL-8112DG card, the gain values supported are 1, 2, 4, and 8. The relationship between analog input voltage range, gain and input type are specified in the table below.

** this table only applies for the ACL-8112DG (low gain) card.

AD_INPUT	GAIN	Input type (Bipolar or Unipolar)	Input Range
AD_B_5_V	1	Bipolar	$\pm 5V$
AD_B_2_5_V	2	Bipolar	$\pm 2.5V$
AD_B_1_25_V	4	Bipolar	$\pm 1.25V$
AD_B_0_625_V	8	Bipolar	$\pm 0.625V$
AD_U_10_V	1	Unipolar	0V ~ 10V
AD_U_5_V	2	Unipolar	0V ~ 5V
AD_U_2_5_V	4	Unipolar	0V ~ 2.5V
AD_U_1_25_V	8	Unipolar	0V ~ 1.25V

For the ACL-8112PG card, the gain values supported are 1,2,4,8,and 16.

The initial value of the gain is '1'. The relationship between gain and input voltage ranges is specified by following tables:

when input voltage range is set to $\pm 5 V$ (JP9),

Gain Code	Gain	Input Range (V)
AD_GAIN_1	X 1	$\pm 5 V$
AD_GAIN_2	X 2	$\pm 2.5 V$
AD_GAIN_4	X 4	$\pm 1.25 V$
AD_GAIN_8	X 8	$\pm 0.625 V$
AD_GAIN_16	X 16	$\pm 0.3125V$

when input voltage range is set to $\pm 10 V$ (JP9),

Gain Code	Gain	Input Range (V)
AD_GAIN_1	X 1	$\pm 10 V$
AD_GAIN_2	X 2	$\pm 5 V$
AD_GAIN_4	X 4	$\pm 2.5 V$
AD_GAIN_8	X 8	$\pm 1.25 V$
AD_GAIN_16	X 16	$\pm 0.625 V$

Syntax

```
int _8112_AD_Set_Range( int ad_range )
int _8112pg_AD_Set_Gain( int ad_range )
```

Argument:

int ad_range: the programmable range of A/D conversion, please refer to above tables for the possible values .

Return Code:

```
ERR_NoError
ERR_BoardNoInit
ERR_AD_InvalidRange
```

Example:

```
#include "8112.h"
main()
{
    _8112_Initial( CARD_1, A8112B_HG, 0x220 );
    /* Assume NoError when Initialize ACL-8112 */

    _8112_AD_Input_Mode( DIFFERENTIAL ) ;
    /* set analog input mode as "differential" mode */

    _8112_AD_Set_Range( AD_B_5_V );
    printf( "The A/D analog input range is +/- 5V \n" );

    for( j = 0; j < 7; j++)
    {
        _8112_AD_Set_Channel( j );
        printf( "AD channel j is now selected.\n" );

        /* all analog input operations are based on
           analog differential mode,
           input range is from -5V to +5V */
    }
    ...
}
```

7.10 `_8112_AD_Set_Mode`

Description

This function is used to set the A/D trigger and data transfer mode by means of writing data to the mode control register. The hardware initial state for the ACL-8112 is set as `AD_MODE_1` software(internal) trigger with program polling data mode.

A/D Mode	Description
<code>AD_MODE_0</code>	External Trigger, Software Polling
<code>AD_MODE_1</code>	Software Trigger, Software Polling
<code>AD_MODE_2</code>	Timer Trigger, DMA Transfer
<code>AD_MODE_3</code>	External Trigger, DMA Transfer
<code>AD_MODE_4</code>	External Trigger, Interrupt Transfer
<code>AD_MODE_5</code>	Software Trigger, Interrupt Transfer
<code>AD_MODE_6</code>	Timer Trigger, Interrupt Transfer
<code>AD_MODE_7</code>	Not Used

Note: All analog input modes selection should match with the hardware settings, which is described in the hardware users manual.

Syntax

```
int _8112_AD_Set_Mode(int ad_mode )
int _8112pg_AD_Set_Mode(int ad_mode )
```

Argument:

ad_mode: AD trigger and data transfer mode
(please refer above table.)

Return Code:

```
ERR_NoError
ERR_BoardNoInit
ERR_InvalidMode
```

Example:

```
#include "8112.h"

main()
{
    _8112_Initial( CARD_1, A8112B_HG, 0x220 );
    /* Assume NoError when Initialize ACL-8112 */

    _8112_AD_Input_Mode( DIFFERENTIAL) ;
    /* set analog input mode as "differential" mode */

    _8112_AD_Set_Range( AD_B_5_V );
    printf( "The A/D analog input range is +/- 5V \n" );

    _8112_AD_Set_Mode( AD_MODE_6 );
    printf( "Now, disable internal trigger.\n" );

    /* All A/D conversion will be trigger by internal
    timer pacer, and the converted data should be
    transfered in the interrupt service routine. ( ISR).
    */

}
```

7.11 `_8112_AD_Soft_Trig`

Description

This function is used to trigger an A/D conversion using software trigger. When the function is called, a trigger pulse will be generated and the converted data will be stored at base address Base+4 and Base+5, and can be retrieved using function `_8112_AD_Acquire()`. Refer to section 7.12.

Syntax

```
int _8112_AD_Soft_Trig( void )
int _8112pg_AD_Soft_Trig( void )
```

Argument:

None

Return Code:

```
ERR_NoError
ERR_BoardNoInit
```

Example:

```
#include "8112.h"

main()
{
    _8112_Initial( CARD_1, 8112DG, 0x220 );
    /* Assume NoError when Initialize ACL-8112 */

    _8112_AD_Soft_Trig();
    printf( "Now, AD is triggered.\n" );
    :
    :
    _8112_AD_Aquire( &data);
}
```

7.12 _8112_AD_Aquire

Description

This function is used to poll an AD conversion. It will trigger an AD conversion, and read a 12-bit A/D data when the data is ready ('data ready' bit becomes low).

Syntax

```
int _8112_AD_Aquire( int *ad_data )
int _8112pg_AD_Aquire( int *ad_data )
```

Argument:

ad_data: 12-bit A/D converted value, the value should
within 0 to 4095.

Return Code:

```
ERR_NoError
ERR_BoardNoInit
ERR_AD_AquireTimeOut
```

Example:

```
#include "8112.h"
main()
{
    int ad_data;
    int ErrCode;

    _8112_Initial( CARD_1, 8112B-DG, 0x220 );
    /* Assume NoError when Initialize ACL-8112 */

    /* Set to software trigger at first*/
    _8112_AD_Set_Mode( AD_MODE_1 );
    /* then trigger the AD */
    _8112_AD_Soft_Trig();
    /* wait for AD data ready then read it */
    ErrCode = _8112_AD_Aquire( &ad_data );
    if( ErrCode == ERR_NoError )
        printf( "The AD value is %d.\n", ad_data );
    else
        printf( "AD conversion error happen\n" );
}
Also see deme program 'AD_DEMO.C'
```

7.13 `_8112_CLR_IRQ`

Description

This function is used to clear an interrupt request which gets requested by the ACL-8112. If you used an interrupt to transfer an A/D converted data, you should use this function to clear the interrupt request status, otherwise new interrupts will not be generated.

Syntax

```
int _8112_CLR_IRQ( void )  
int _8112pg_CLR_IRQ( void )
```

Argument:

None

Return Code:

```
ERR_NoError  
ERR_BoardNoInit
```

7.14 `_8112_AD_DMA_Start`

Description

The function will perform an A/D conversion N times with DMA data transfer using the pacer trigger (internal timer trigger). It takes place in the background and will not stop until the Nth conversion has been performed or your program executes the `_8112_AD_DMA_Stop()` function to stop the process. After executing this function, it is necessary to check the status of the operation by using the function `_8112_AD_DMA_Status()`. This function can only be performed on an A/D channel with a fixed analog input range.

Syntax

```
int _8112_DMA_Start( int ad_ch_no, int ad_range,
                    intdma_ch_no, int irq_ch_no
                    int count , int *ad_buffer
                    unsigned int c1, unsigned int c2)
int _8112pg_DMA_Start( int ad_ch_no, int ad_gain,
                      intdma_ch_no, int irq_ch_no
                      int count , int *ad_buffer
                      unsigned int c1, unsigned int c2)
```

Argument:

ad_ch_no: A/D channel number

ad_range: A/D analog input range, please refer to the Section 7.9 to find the possible values.

dma_ch_no: DMA channel number, `DMA_CH_1` or `DMA_CH_3`

Note: Make sure your hardware configuration is set to the correct DMA channel.

irq_ch_no: IRQ channel number, used to stop DMA

Note: Make sure your hardware configuration is set to the correct IRQ interrupt level.

count: the number of A/D conversion

ad_buffer: the start address of the memory buffer to store the AD data, the buffer size must large than the numbers of AD conversion.

c1: the 16-bit timer frequency divider of timer channel #1

c2: the 16-bit timer frequency divider of timer channel #2

Return Code:

ERR_NoError
ERR_BoardNoInit,
ERR_InvalidADChannel,
ERR_AD_InvalidRange,
ERR_InvalidDMAChannel,
ERR_InvalidIRQChannel,
ERR_InvalidTimerValue

Example:

See Demo Program 'AD_Demo4.C

7.15 _8112_AD_DMA_Status

Description

Since the `_8112_AD_DMA_Start` function is executed in the background, you can issue the function `_8112_AD_DMA_Status` to check its operation status.

Syntax

```
int _8112_AD_DMA_Status( int *status , int *count )
int _8112pg_AD_DMA_Status( int *status , int *count )
```

Argument:

status:	status of the DMA data transfer 0: AD DMA is not completed 1: AD DMA is completed
count:	the number of A/D data which has been transferred.

Return Code:

```
ERR_NoError
ERR_BoardNoInit
ERR_AD_DMAMNotSet
```

Example:

See demo program 'AD_Demo4.C'

7.16 `_8112_AD_DMA_Stop`

Description

This function is used to stop the DMA data transfer. After executing this function, the internal A/D trigger is disabled and the A/D timer (timer #1 and #2) is stopped. The function returns the number of data's which have been transferred, no matter if the A/D DMA data transfer is stopped by this function or by the DMA terminal count ISR.

Syntax

```
int _8112_AD_DMA_Stop( int *count )
int _8112pg_AD_DMA_Stop( int *count )
```

Argument:

count: the number of A/D converted data which has beentransferred.

Return Code:

```
ERR_NoError
ERR_BoardNoInit
ERR_AD_DMANotSet
```

Example:

See demo program 'AD_Demo4.C'

7.17 `_8112_AD_INT_Start`

Description

The function will perform an A/D conversion N times with interrupt data transfer using the pacer trigger. It takes place in the background which will not be stopped until the Nth conversion has completed or your program executes the `_8112_AD_INT_Stop()` function to stop the process. After executing this function, it is necessary to check the status of the operation by issuing the `8112_AD_INT_Status()` function. The function can only be performed on an A/D channel with a fixed analog input range.

Syntax

```
int _8112_INT_Start( int ad_ch_no, int ad_range,
                   int irq_ch_no, int count, int
*ad_buffer,       unsigned int c1, unsigned int c2)
int _8112pg_INT_Start( int ad_ch_no, int ad_gain,
                      int irq_ch_no, int count, int
*ad_buffer,         unsigned int c1, unsigned int c2)
```

Argument:

ad_ch_no:	A/D channel number
ad_range:	A/D analog input range, please refer to section 7.9 for the possible values.
irq_ch_no:	IRQ channel number, used to stop DMA
count:	the number of A/D conversion
ad_buffer:	the start address of the memory buffer to store the A/D data, the buffer size must be larger than the number of A/D conversions.
c1:	the 16-bit timer frequency divider of channel #1
c2:	the 16-bit timer frequency divider of channel #2

Return Code:

```
ERR_NoError  
ERR_BoardNoInit  
ERR_InvalidADChannel  
ERR_AD_InvalidRange  
ERR_InvalidIRQChannel  
ERR_InvalidTimerValue
```

Example:

See demo Program 'AD_Demo2.C'

7.18 _8112_AD_INT_Status

Description

Since the `_8112_AD_INT_Start()` function is executed in the background, you can issue the function `_8112_AD_INT_Status` to check the status of the interrupt operation.

Syntax

```
int _8112_AD_INT_Status( int *status , int *count )  
int _8112pg_AD_INT_Status( int *status , int *count )
```

Argument:

status:	status of the INT data transfer 0: A/D INT is completed 1: A/D INT is not completed
count:	current conversion count number.

Return Code:

```
ERR_NoError  
ERR_BoardNoInit  
ERR_AD_INTNotSet
```

Example:

See demo program 'AD_Demo2.C'

7.19 `_8112_AD_INT_Stop`

Description

This function is used to stop the interrupt data transfer function. After executing this function, the internal AD trigger is disabled and the AD timer is stopped. The function returns the number of data which has been transferred, no matter whether the AD interrupt data transfer is stopped by this function or by the `_8112_AD_INT_Start()` itself.

Syntax

```
int _8112_AD_INT_Stop( int *count )  
int _8112pg_AD_INT_Stop( int *count )
```

Argument:

`count`: the number of A/D data which has been transferred.

Return Code:

```
ERR_NoError  
ERR_BoardNoInit  
ERR_AD_INTNotSet
```

Example:

See Demo Program '`AD_Demo2.C`'

7.20 `_8112_AD_Timer`

Description

This function is used to setup Timer #1 and Timer #2.

Timer #1 & #2 are used as frequency dividers for generating constant A/D sampling rate. It is possible to stop the pacer trigger by setting any one of the dividers to 0. The AD conversion rate is limited by the conversion time of the AD converter, the highest sampling rate of the ACL-8112 can not exceed 100KHz, thus the multiplication of the dividers must be larger than 20.

Syntax

```
int _8112_AD_Timer( unsigned int c1 , unsigned int
c2 )
int _8112pg_AD_Timer( unsigned int c1 , unsigned int
c2 )
```

Argument:

c1: frequency divider of timer #1
c2: frequency divider of timer #2,

Note: The A/D sampling rate is equal to: $2\text{MHz}/(c1 * c2)$, if $c1 = 0$ or $c2 = 0$, the pacer trigger will be stopped.

Return Code:

```
ERR_NoError
ERR_BoardNoInit
ERR_InvalidTimerValue
```

Example:

```
main()
{
    int ErrCode;
    _8112_Initial( CARD_1, A8112B_HG, 0x220 );
    /* Assume ERR_NoError when Initialize ACL-8112 */

    _8112_AD_Timer( 10 , 10 );
    /* set AD sampling rate to 2MHz/(10*10) */
    ..
    _8112_AD_Timer( 0 , 0 );
    /* stop the pacer trigger */
}
```

7.21 `_8112_TIMER_Start`

Description

Timer #0 on the ACL-8112 is freely available to be programmed by the users. This function is used to program Timer #0. This timer can be used as a frequency generator if an internal clock is used. It also can be used as an event counter if an external clock is used.

Syntax

```
int _8112_TIMER_Start( int timer_mode, unsigned int
c0 )
int _8112pg_TIMER_Start( int timer_mode, unsigned int
c0 )
```

Argument:

timer_mode: the 8253 timer mode, the possible values are:
TIMER_MODE0, TIMER_MODE1,
TIMER_MODE2, TIMER_MODE3,
TIMER_MODE4, TIMER_MODE5.

c0: the counter value of timer

Return Code:

```
ERR_NoError
ERR_BoardNoInit
ERR_InvalidTimerMode
ERR_InvalidTimerValue
```

Example:

See demo program 'TMR_DEMO.C'

7.22 `_8112_TIMER_Read`

Description

This function is used to read the counter value of Timer #0.

Syntax

```
int _8112_TIMER_Read( unsigned int *counter_value )
int _8112pg_TIMER_Read( unsigned int *counter_value )
```

Argument:

counter_value: the counter value of the Timer #0

Return Code:

```
ERR_NoError
ERR_BoardNoInit
```

Example:

See demo program 'TMR_DEMO.C'

7.23 `_8112_TIMER_Stop`

Description

This function is used to stop the timer operation. The timer is set to 'One-shot' mode with counter value '0'. That is, the clocks' output signal will be set high after executing this function.

Syntax

```
int _8112_TIMER_Stop( unsigned int *counter_value )
int _8112pg_TIMER_Stop( unsigned int *counter_value )
```

Argument:

***counter_value:** the current counter value of the Timer #0

Return Code:

```
ERR_NoError
ERR_BoardNoInit
```

Example:

See demo program 'TMR_DEMO.C'

Appendix A. Demo Programs

In this software diskette, there are 8 example programs provided. It will help with programming applications using the C Language Library. The description of these programs are describe below:

AD_DEMO1.C:	A/D conversion using software trigger and program data transfer.
AD_DEMO2.C	A/D conversion using interrupt and program data transfer.
AD_DEMO3.C:	A/D conversion using DMA data transfer.
AD_DEMO4.C:	A/D conversion using multiple channels and input range programmable, trigger using the PC timer, and saves all data to a file called 'ad_demo4.data'.
DA_DEMO.C:	D/A conversion
DI_DEMO.C:	Read data from digital input channels
DO_DEMO.C:	Write data to digital output channels
TMR_DEMO.C:	Handle 8253 Timer/Counter

Warranty Policy

Thank you for choosing ADLINK. To understand your rights and enjoy all the after-sales services we offer, please read the following carefully.

1. Before using ADLINK's products, please read the user manual and follow the instructions exactly. When sending in damaged products for repair, please attach an RMA application form.
2. All ADLINK products come with a two-year guarantee, free of repair charge.
 - The warranty period starts from the product's shipment date from ADLINK's factory
 - Peripherals and third-party products not manufactured by ADLINK will be covered by the original manufacturers' warranty
 - End users requiring maintenance services should contact their local dealers. Local warranty conditions will depend on the local dealers
3. Our repair service does not cover the two-year warranty, if damages are caused by the following events:
 - a. Damage caused by not following instructions in the user's manual.
 - b. Damage caused by carelessness on the users' part during product transportation.
 - c. Damage caused by fire, earthquakes, floods, lightning, pollution and incorrect usage of voltage transformers.
 - d. Damage caused by unsuitable storage environments with high temperatures, high humidity or volatile chemicals.
 - e. Damage caused by leakage of battery fluid when changing batteries.
 - f. Damages from improper repair by unauthorized technicians.
 - g. Products with altered and damaged serial numbers are not entitled to our service.
 - h. Other categories not protected under our guarantees.

4. Customers are responsible for the fees regarding transportation of damaged products to our company or to the sales office.
5. To ensure the speed and quality of product repair, please download an RMA application form from our company website www.adlinktech.com. Damaged products with RMA forms attached receive priority.

For further questions, please contact our FAE staff.

ADLINK: service@adlinktech.com

Test & Measurement Product Segment: NuDAQ@adlinktech.com

Automation Product Segment: Automation@adlinktech.com

Computer & Communication Product Segment: NuPRO@adlinktech.com;
NuIPC@adlinktech.com.