

HEAVY DUTY ADJUSTABLE POWER SUPPLY SERIES

I. Summary:

CSII18XXSC Series DC Power Supplies provide adjustable voltage output from 1.5VDC to 15VDC. This series provides an analog display to show output voltage & output current. Several output connectors are provided to make use convenient & flexible

Table: 1

Model	Voltage Range	Maximum Current
CSI1810SC	1.5V-15V	15A
CSI1830SC	1.5V-15V	30A

II. Technical Specs:

1 Input Voltage: 110V±5% 60HZ±2HZ

2 Output Voltage : 1.5V-15V continuous

3 Current Output :

a. Maximum output current: CSI1810SC : 15A

CSI1830SC : 30A

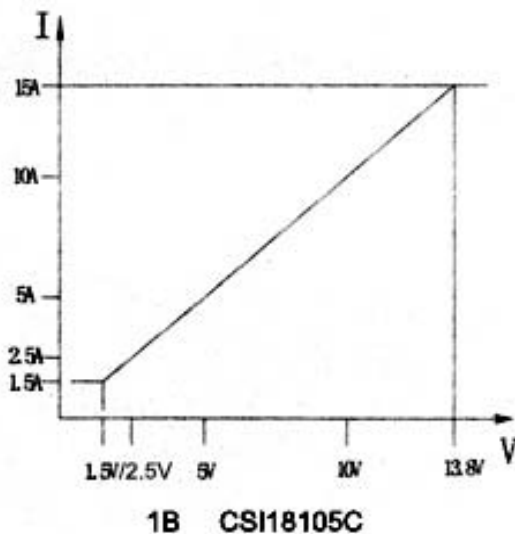
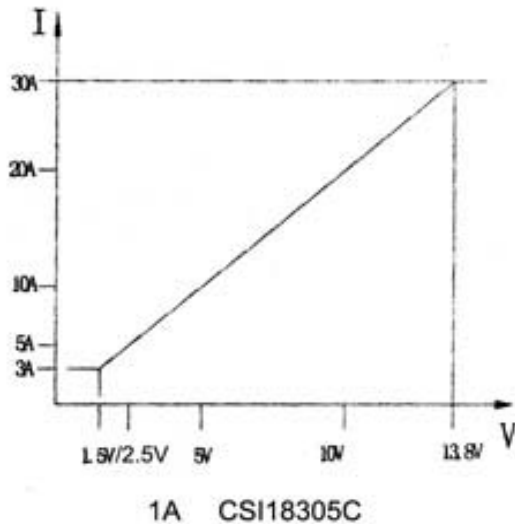
b.– Current Output & Voltage output: See charts 1a & 1 b

NOTICE:

This Power Supply and others manufactured like it, can have up to a 2.5Amp LOAD attached to the power output terminals at the time the supply is switched ON. If the user of the power supply wishes to control a LOAD greater then 2.5Amps at the time of power up, then a separate switch is required for turning ON the Load after the power supply has been turned on

If your LOAD is equipped with a switch then that switch will be good enough for this operation.

For operating LOADs greater than 2.5Amps, the Power Supply must be turned on **FIRST**, then the LOAD can be switched on. If the supply is turned on first (before the load is turned on) then the user should not have any issue with this characteristic.



4 Load Regulation : $\leq 1\%$

5 Electric Wave : $\leq 10\text{mv}$

6 Protection : Current Limitation , Short Circuit.

7 Continuous Work Time : See Table # 2

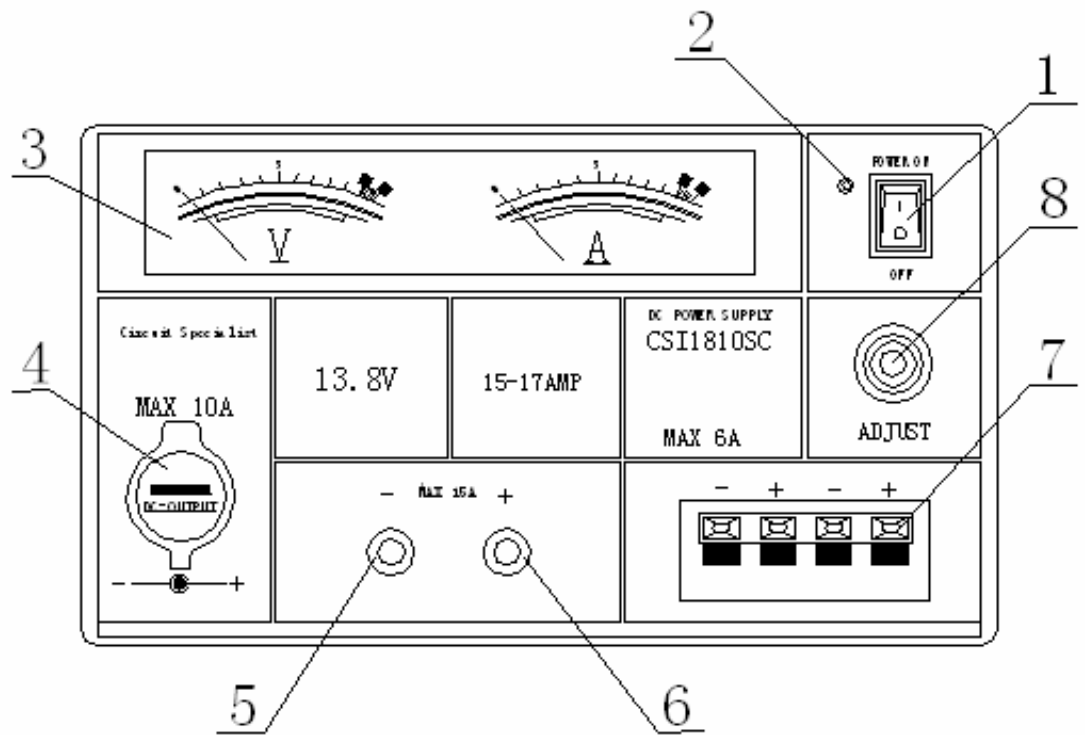
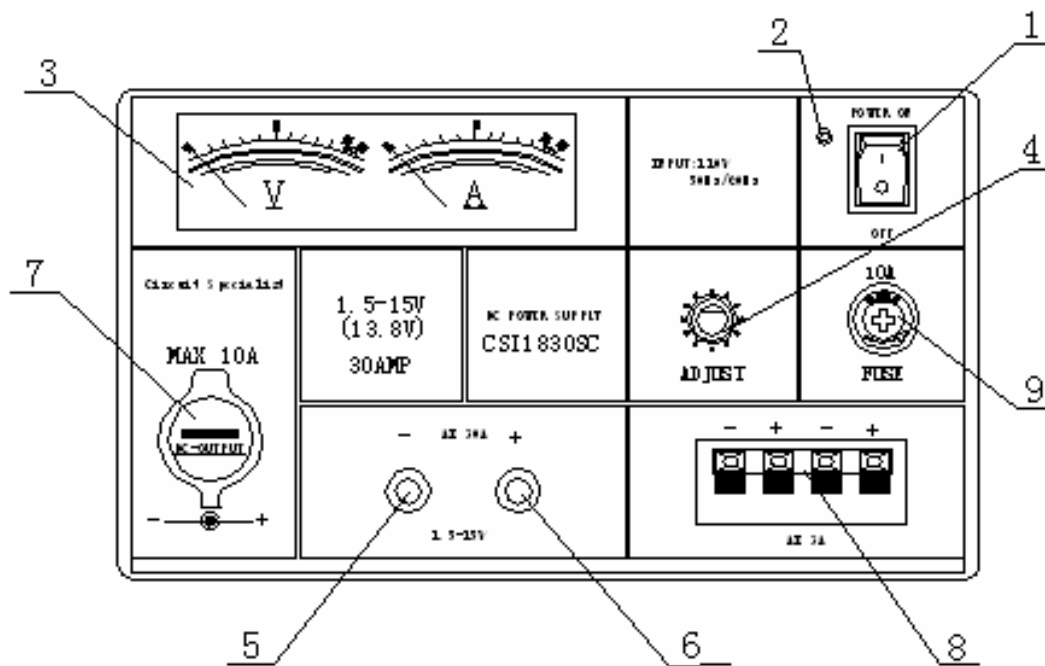


图2a CSI1810SC

- 1- Power On/Off
- 2-Power Light: Lights when power is on.
- 3-Ammeter/Voltmeter: “V” shows voltage output, “A” shows current output
- 4-Output socket for cigarette lighter style plug (<10 Amps only)
- 5- Output Negative Terminal
- 6- Output Positive Terminal
- 7- Output Terminal Blocks: (< 3 Amps only)
- 8-Output Adjustment knob



2b CSI1830SC

- 1- Main Switch: ON (Turn On) ,OFF(Turn Off)
- 2- Power Light: Lights when power is on.
- 3 –Ammeter/Voltmeter: “V” shows voltage output, “A” shows current output
- 4-Output voltage adjusting knob
- 5- Output Negative Terminal
- 6- Output Positive Terminal
- 7- Output socket for cigarette lighter style plug (<10 Amps only)
- 8- Output Terminal Blocks: (< 3 Amps only)
- 9- Panel Mount Fuse