

Circuit Specialists, Inc.

CSI3020SW

CSI3030SW

CSI6010SW

CSI6015SW

CSI1540SW

CSI1560SW

Switching Power Supply

CSIXXXSW switching power supply has many features, such as high efficiency, compact size, light weight, good reliability. In addition, this power supply also uses a low-ripple design. The ripple and noise is very close to a linear ripple.

Main Technical Specifications:

Models	CSI3020SW	CSI3030SW	CSI6010SW	CSI6015SW	CSI1540SW	CSI1560SW
Output						
Variable Output Voltage	0 - 30V	0 - 30V	0 - 60V	0 - 60V	0 - 15V	0 - 15V
Variable Output Current	0 - 20A	0 - 30A	0 - 10A	0 - 15A	0 - 40A	0 - 60A
Ripple & Noise						
Ripple & Noise (peak-peak) Voltage	100mV	100mV	200mV	200mV	100mV	100mV
Meter Type & Accuracy						
Voltage Meter	3 Digit LCD Display $\pm 0.2\%$ +3counts					
Current Meter	3 Digit LCD Display $\pm 0.2\%$ +3counts					
Input Voltage	110VAC 60Hz~					
Protections	Overload, Over Temperature					
Dimensions (WxHxD)	336x87x214 mm					
Weight	2.9 kgs					

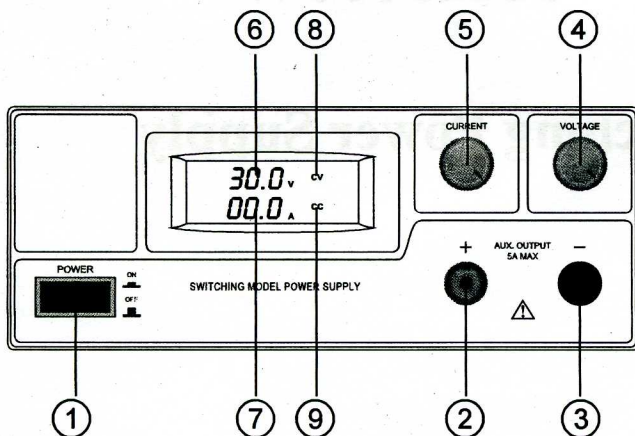
Operation environment: Temperature 0~40°C

Relative humidity: no more than 90% RH

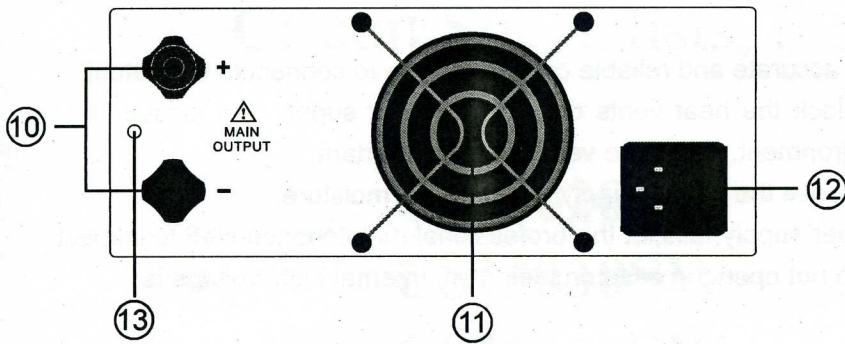
Atmospheric pressure: 86KPa~ 104 Kpa

Operating method

1. The role of the control parts on the panel



- (1) Power Switch: "ON" position: turned on, "OFF" position :turn off.
- (2) The Positive output
- (3) The negative output
- (4) Voltage Adjustment Knob
- (5) Current Adjustment Knob
- (6) Voltage indication
- (7) Current indication
- (8) Regulated voltage indication
- (9) Current regulator indication



- (10) Output terminal: 20A/30A/10A/15A/40A/60A max; Red positive; black negative
- (11) Cooling fan
- (12) Fuse
- (13) Grounding terminal

1. Operating method

1-1 Connect a load(electrical equipment, etc.) to the power supply output, and pay attention to the polarity .Do not reverse the polarity.

1-2 Plug AC input power cord into a suitable AC power jack.

1-3 Place the power switch to "ON" position, the power indicator light , and the power has been turned on.

1-4 Pay attaition that the load current should be less than the rated output current of the power supply, 80% of rated output current is recommended to be the maximum current.

