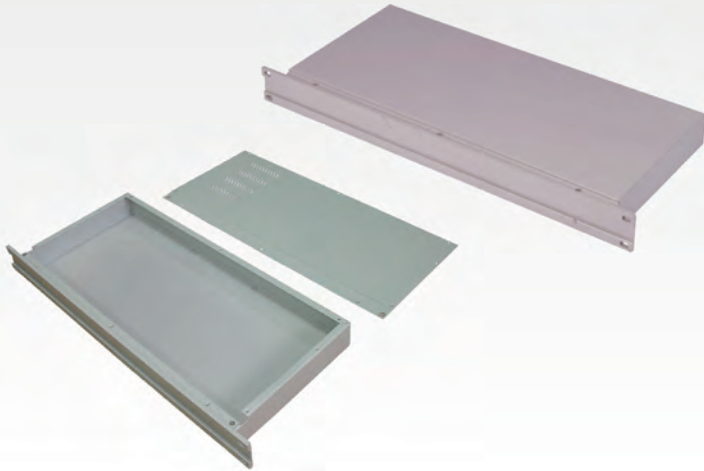
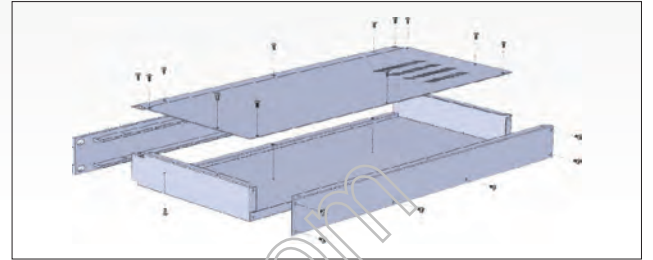


型号CODE:37-1



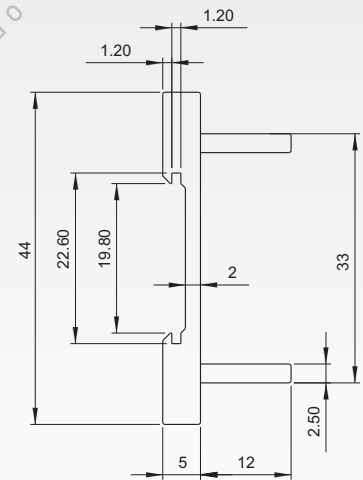
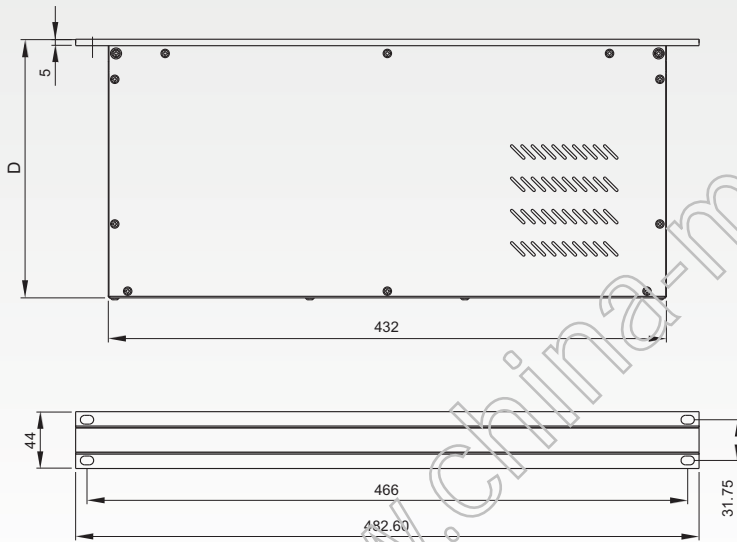
本机箱由铝型材面板、侧面横梁、上下盖板、后盖板等组成，机箱深度D可按要求任意定制。铝型材面板可按要求开孔，内部可定制PCB固定螺柱。

The case will consist of aluminum panel、side beam、top & bottom panels、rear panels and so on. The depth of the case can be customized. The holes can be added in the front panel. The pillars for PCB can be also added in the inside.



尺寸图(Dimension)

面板型材(Front extrude panel)



机箱深度D可任意定制，现有规格：200，250，300，350mm。

The depth of the case can be customized as per your request. Now we have it in 200，250，300，350mm。

面板型材(Front extrude panel)

箱体(The base)

盖板(The top)

后盖板(Rear panel)

