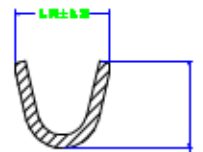
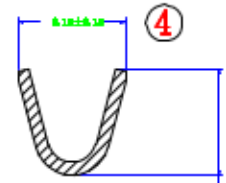
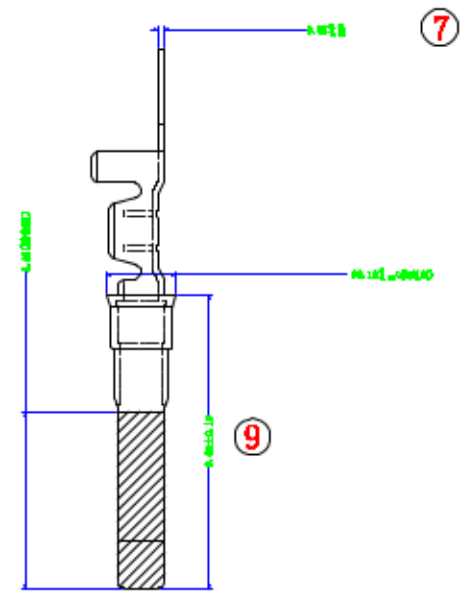
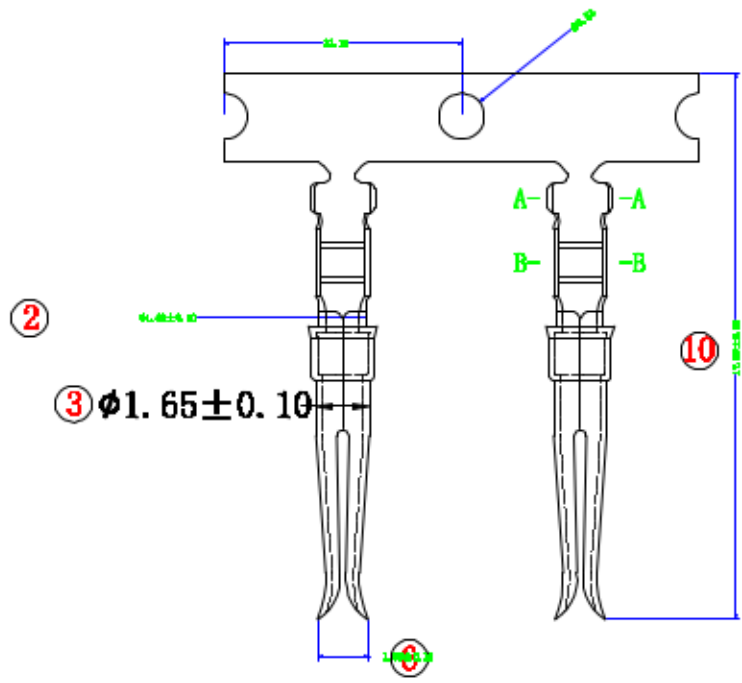


NOTE: ALL MATERIAL COMPLIANT ROHS STANDARD

REVISION INFORMATION

Rev.	Rev. Date	Modified By	Brief Description



A-A
SCALE 2:1

B-B
SCALE 2:1

DRT-F

DRAWN BY	DATE: 2012/7/8	DESCRIPTION: Female pin for d-sub connector	
CHECKED BY	SHEET 1 of 1	ITEM NO. 273121	
APPROVED BY	SCALE 1:1	REV. 00	UNIT: mm