

CW230 Electrical Specifications

Name	Description
CP+	Pulse signal positive
CP-	Pulse signal negative
CW+	Direction signal positive
CW-	Direction signal negative
REST+	Reset signal positive, usually left unconnected(reset)
REST-	Reset signal negative, usually left unconnected(reset)

Power and Motor Connections

GND	Power Ground
+VDC	Power supply, +18~+40VDC
A+	Motor phase A
A-	
B+	Motor phase B
B-	

Control Signal Connection Interface

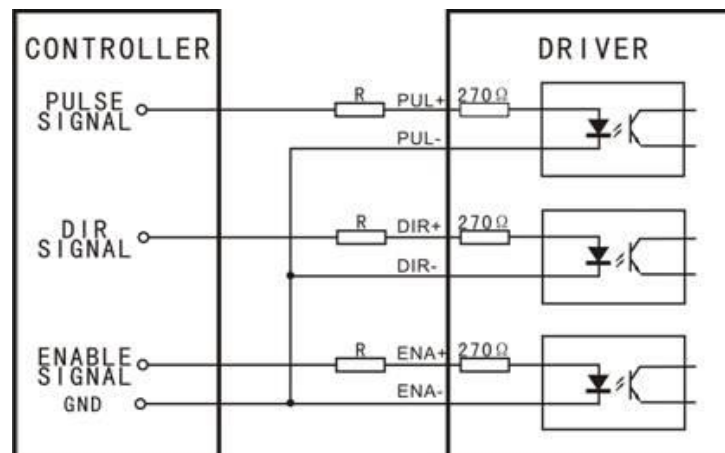


Figure 1: Common-Cathode

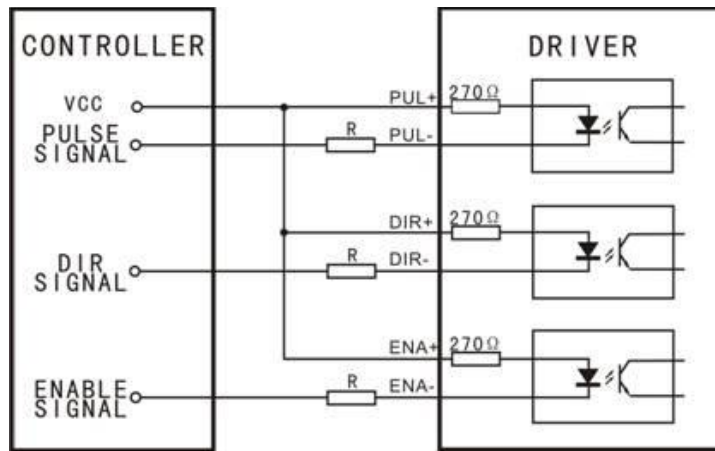


Figure 2: Common-Anode

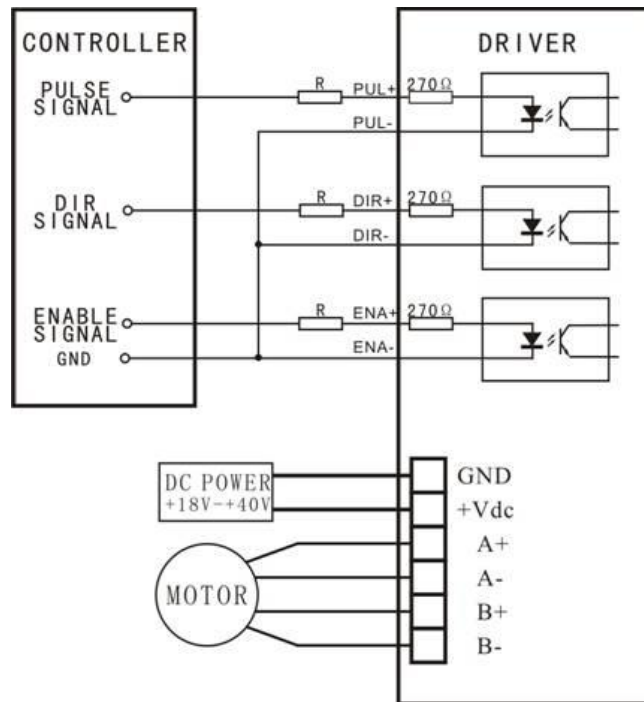


Figure 3: Typical connections

VCC	R
12V	680Ω
24V	1.8KΩ