

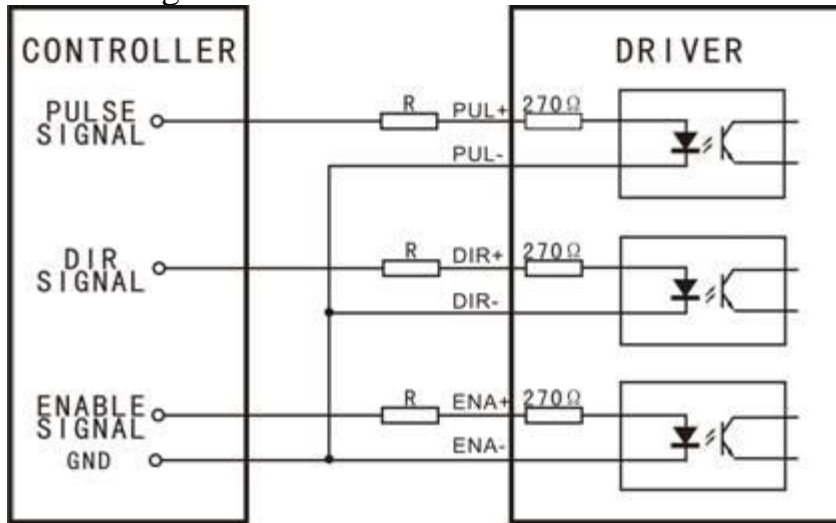
CWD3M683 Electronic Specifications

Control Signal connector	
Name	Description
PUL+	Pulse signal positive
PUL-	Pulse signal negative
DIR+	Direction signal positive
DIR-	Direction signal negative
ENA+	Enable signal positive, usually left unconnected(enable)
ENA-	Enable signal negative, usually left unconnected(enable)

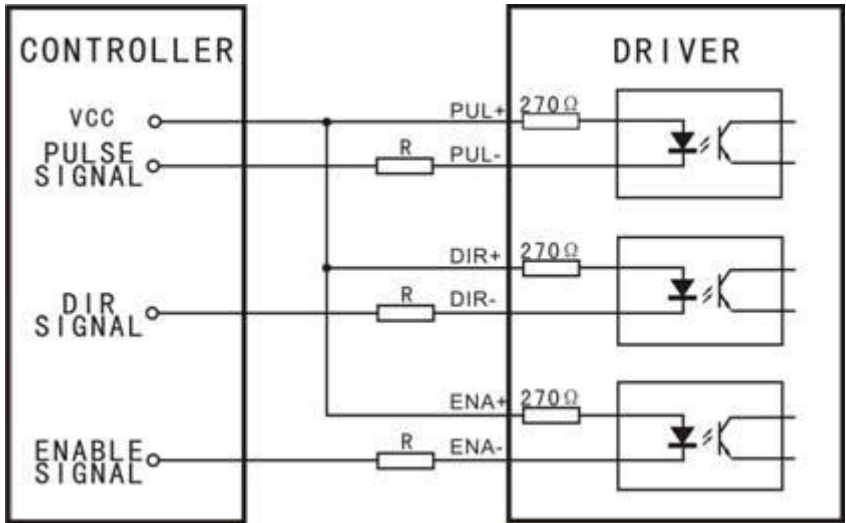
Power and Motor Control

GND	Power supply, 20~60 VDC
+VDC	
U	Motor phase U
V	Motor phase V
W	Motor phase W

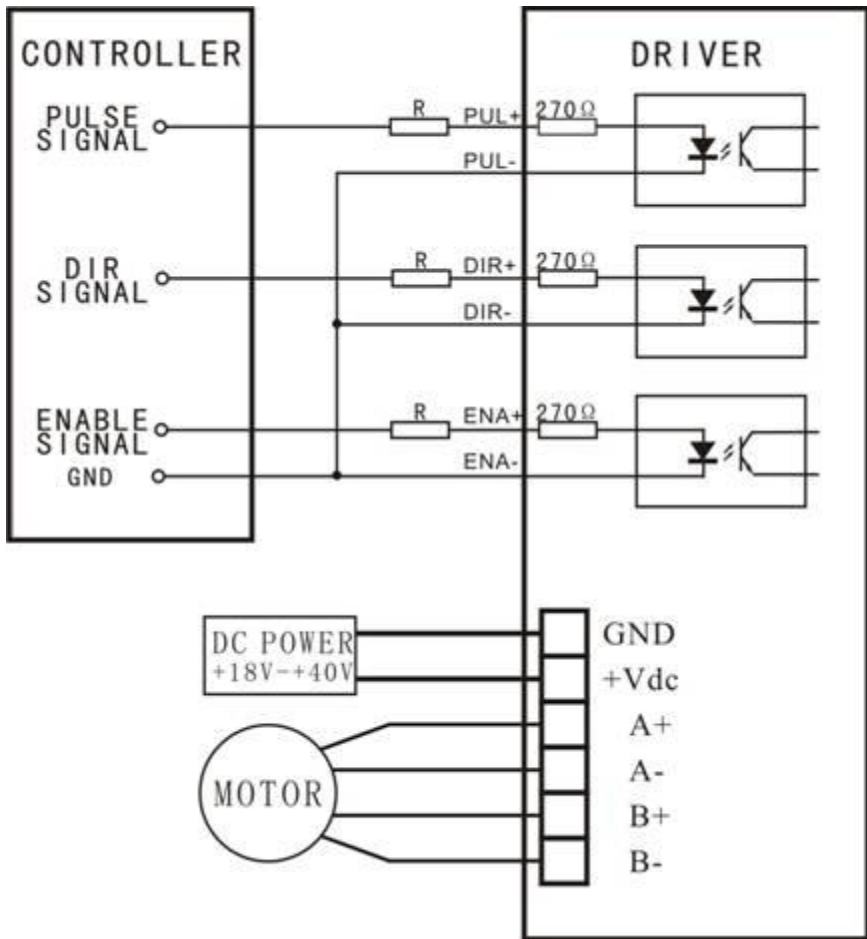
Control Signal Connector Interface



Common-Cathode



Common-Anode



Typical Connection

VCC	R
5V	0
12V	680 Ω
24V	1.8K Ω