

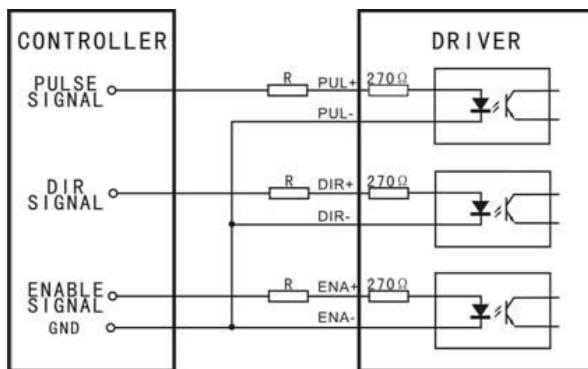
CWD3M860 Electronic Specifications

Control Signal connector	
Name	Description
DIR-	Direction signal negative
DIR+	Direction signal positive
PUL-	Pulse signal negative
PUL+	Pulse signal positive
ENA-	Enable signal negative, usually left unconnected(enable)
ENA+	Enable signal positive, usually left unconnected(enable)

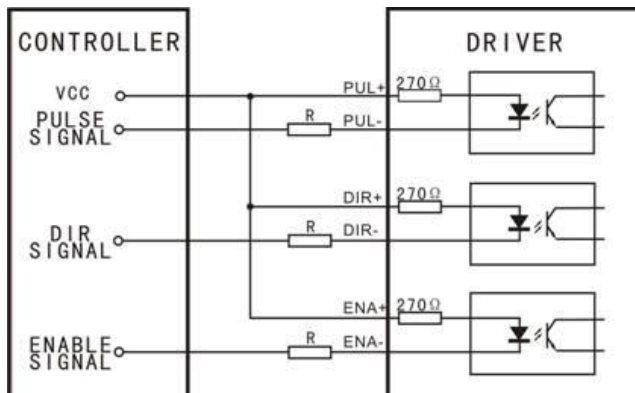
Power and Motor Connector

AC	Power supply
AC	+24V-90VDC OR 20~60 VAC
U	Motor phase U
V	Motor phase V
W	Motor phase W

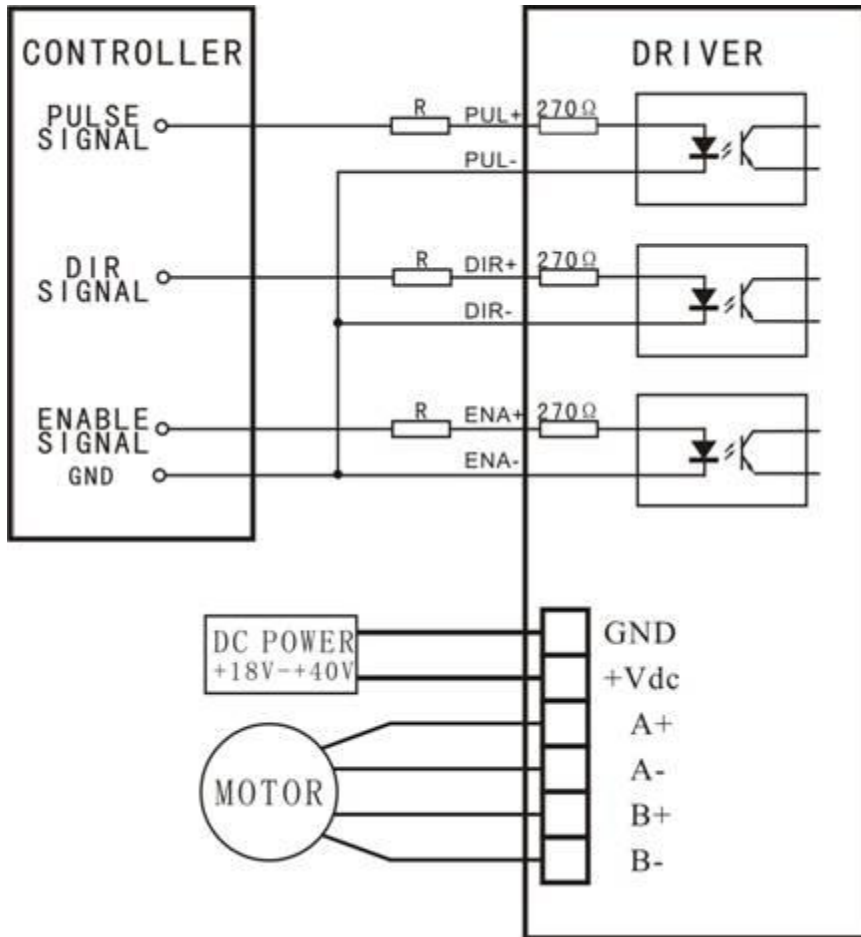
Control Signal Connector Interface



Common-Cathode



Common-Anode



Typical Connection

VCC	R
5V	0
12V	680Ω
24V	1.8KΩ