

Type LPA-02 In-Line Fuse Holder - Heavy Duty 1/4" x 1 1/4" (6.3 x 32mm) Fuses



Ratings:

- Fuse Type:** 1/4" x 1 1/4" (6.3 x 32mm)
- Electrical Rating:** 32VAC
- Body:** Nylon with glass fiber
- Contacts:** Brass
- Standard Wire Sizes:** #12 ~ #18 AWG
- Standard Wire Colors:** Red
- Standard Body colors:** White
- Standard Wire Length:** 4 inches

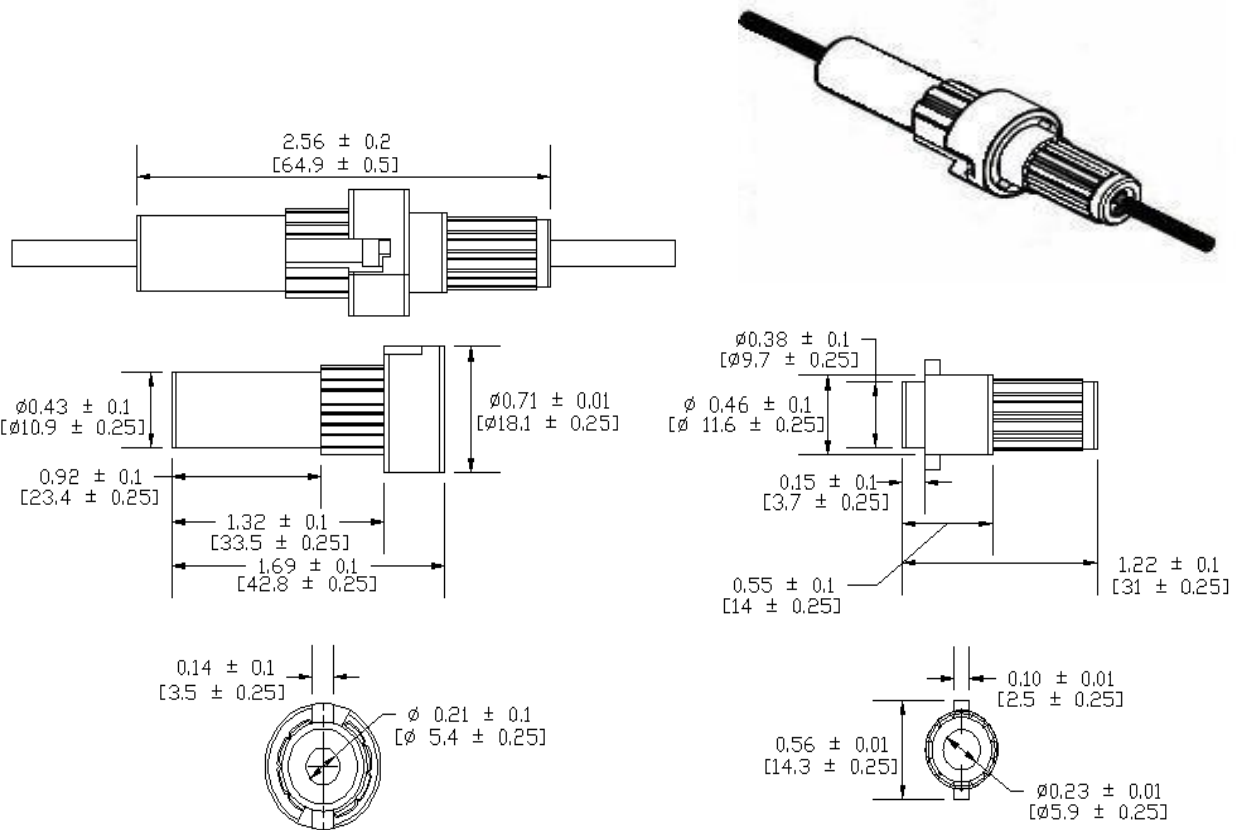
Part number format

LPA-02W-##R
where ## = Wire gauge

Wire Gauge	Max. Amperage
12 AWG	30 A
14 AWG	20 A
16 AWG	15 A
18 AWG	10 A

Available in various wire gauges and lengths, and body and wire colors.
Contact factory for those not listed above.

Mechanical Dimensions: Inches [mm]



Warning:



- Operation beyond the specified maximum ratings or improper use may result in damage and possible electrical arcing and/or flame.
- Avoid contact of device with chemical solvent. Prolonged contact may damage the device performance.
- Not designed for prolonged liquid exposure or submersible applications.