

# Type LPA-01 In-Line Fuse Holder 1/4" x 1 1/4" (6.3 x 32mm) Fuses



www.optifuse.com (619) 593-5050

### Ratings:

- Fuse Type:** 1/4" x 1 1/4" (6.3 x 32mm)
- Electrical Rating:** 32VDC
- Body:** Nylon / Polypropylene
- Contacts:** Brass
- Operating Temperatures:** -40°C ~ 85°C
- Standard Wire Sizes:** #14 ~ #18 AWG
- Standard Wire Colors:** Red
- Standard Body colors:** White
- Standard Wire Length:** 4 inches

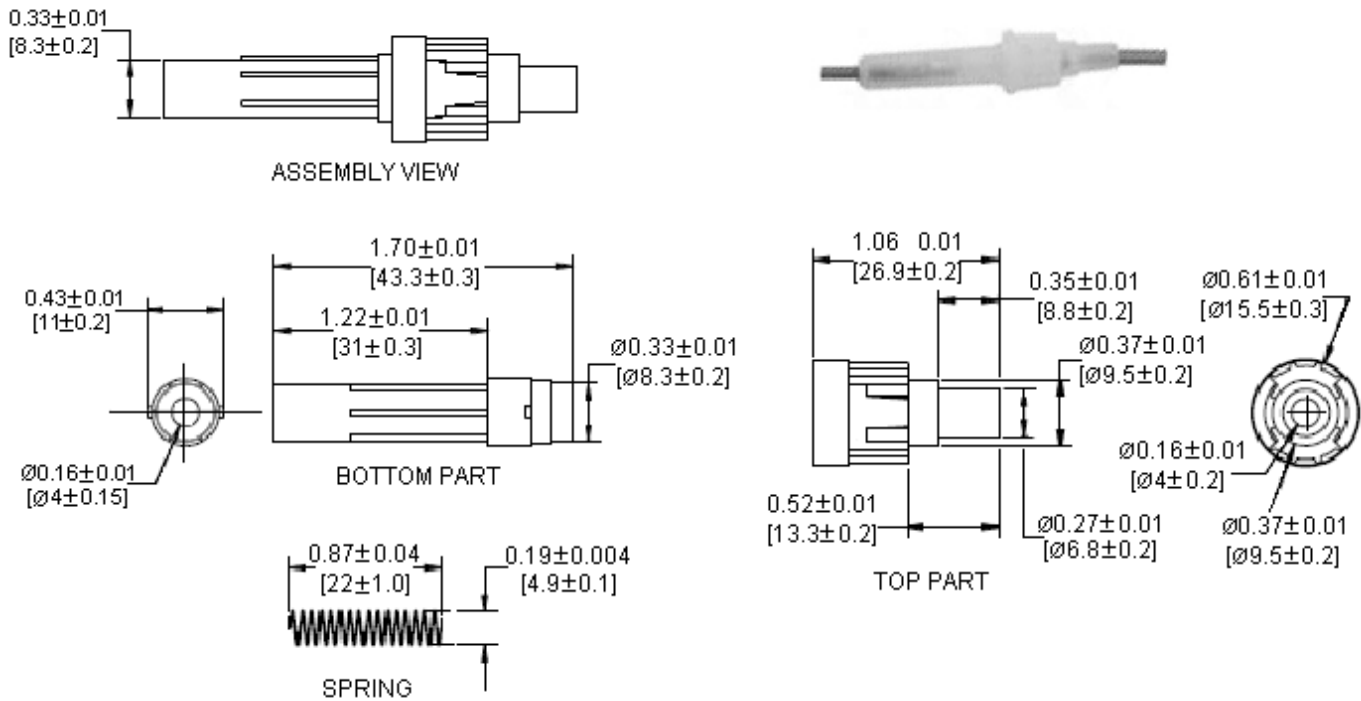
### Part number format

- LPA-01X-##Z**  
 where **X** = Body color  
**##** = Wire gauge  
**Z** = Wire color

Wire Gauge	Max. Amperage
14 AWG	20 A
16 AWG	15 A
18 AWG	10 A

Available in various wire gauges and lengths, and body and wire colors.  
 Contact factory for those not listed above.

### Mechanical Dimensions: Inches [mm]



### Warning:



- Operation beyond the specified maximum ratings or improper use may result in damage and possible electrical arcing and/or flame.
- Avoid contact of device with chemical solvent. Prolonged contact may damage the device performance.
- Not designed for prolonged liquid exposure or submersible applications.