



# A-75FAM Switching Power Supply



## ◆ Features

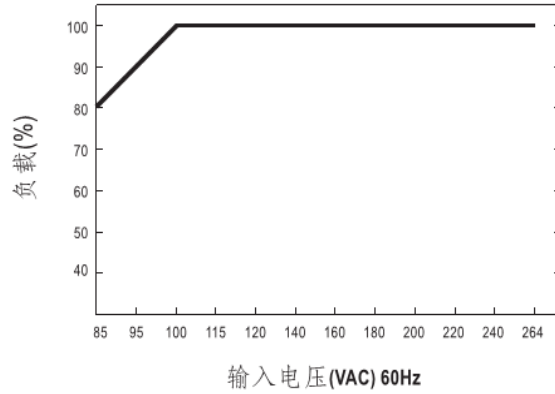
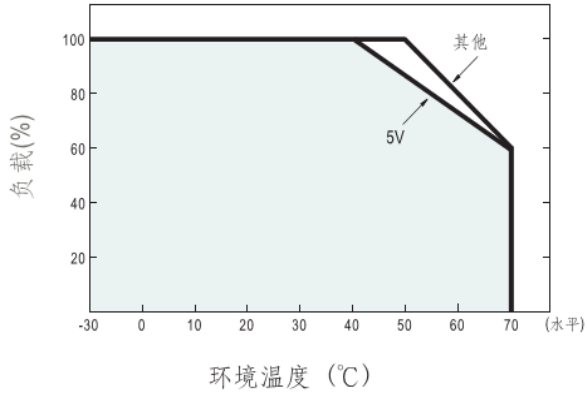
- Universal AC input
- Cooling by free air convection
- Protections: short circuit/overload
- 100% pass aging test
- 2 years warranty

## General Specification

ModelNo.	A-75FAM-12	A-75FAM-24	A-75FAM-36	A-75FAM-48	
Output	DC voltage	12V	24V	36V	48V
	Rated current	6A	3.2A	2.1	1.6A
	Current Range	0~6A	0~3.2A	0~2.1A	0~1.6A
	Rated power	72W	76.8W	75.6W	76.8W
	Ripple & Noise	120mVp-p	150mVp-p	200mVp-p	200mVp-p
	Voltage regulating range	±10.0%			
	Voltage accuracy	±1.0%			
	Linear adjustment rate	±0.5%			
	Load adjustment rate	±0.5%			
	Rise	500ms, 30ms/230VAC 100% Load			
Hold up time (Typ)	60ms/230VAC 12ms/115VAC 100% Load				
Input	Voltage range	100~240VAC;			
	Frequency	47~63HZ			
	PFC (Typ)				
	Efficiency (Typ)	88%	90%	92%	92%
	Alternating current	1.4A/115VAC 0.85A/250VAC			
	Inrush current (Typ)	50A/230VAC			
Protect ions	Leakage current	<3.5mA/240VAC			
	Overload	110~150% of rated output			
	Short circuit	Hiccup mode, auto-recovery			
	Over Voltage	115%-135% rated output voltage			
Envirom ent	Over temp.				
	Working temp.	-30°C~+50°C (refer to output derating curve)			
	Working humidity	20~95%RH non condensing			
	Storage temp.	-40°C~+85°C			
	Storage humidity	10~95%RH non condensing			
	temp. coefficient	±0.03%/°C (0~50°C)			
Safety	Vibration resistance	10~500Hz, 2G, 10min/cycle, X、Y、Z 60min in each direction			
	Safety standards	design according to GB4943-2001, UL1012			
	withstand voltage	I/P-O/P:3.0KV AC、I/P-FG: 2.0KV AC、O/P-FG: 0.5KV AC			
	Isolation Resistance	I/P-O/P、I/P-FG、O/P-FG: 100MΩ/500VDC			
Others	EMC	CLASS B			
	Lifetime	100,000 hours(25°C)			
	Size	99×97×30 (L*W*H)			
Remarks	Weight	0.3Kg/pc			
		<p>*In order to extend the lifetime, it is recommended to configure the load more than 30% of the remaining allowance. For example: the power of the device requires 100W, then use the power of not less than 130W.</p> <p>*Ripple test method: 20MHz oscilloscope in power output terminal test, oscilloscope probe wire length is not more than 12mm, and input parallel 47uF electrolytic capacitors and 0.1uF high frequency capacitance probe.</p>			



### Load temperature drop curve

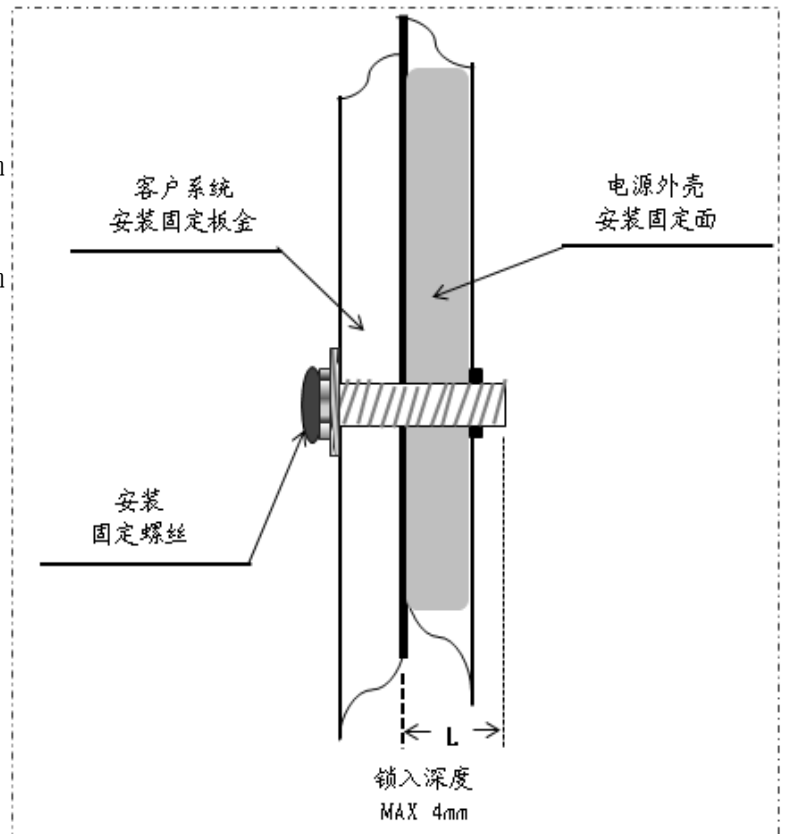


### Installation

#### 警示

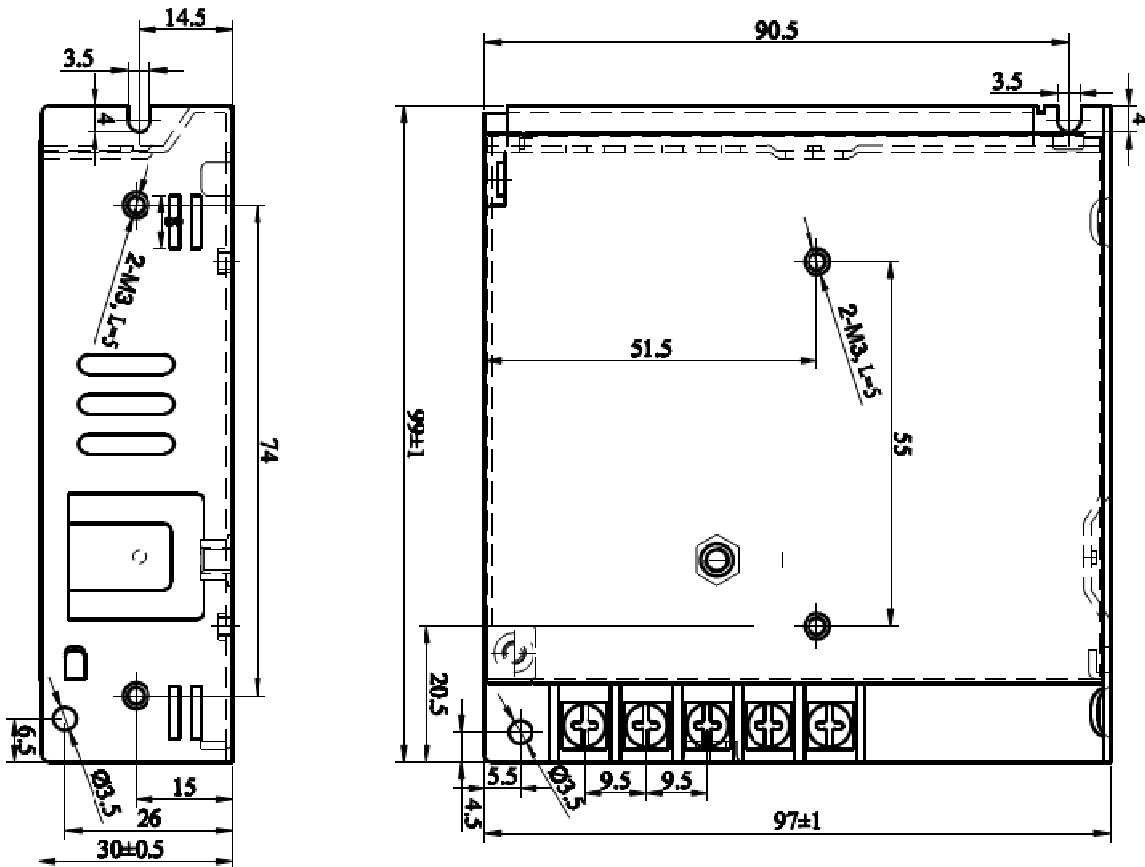
#### Warning

- 使用安装螺丝M3\*6mm,  
Using the mounting screws M3\*6mm
- 深入外壳螺丝深度MAX 4mm,  
Deep housing screw depth Max 4mm
- 详见右图  
As shown on the right





Drawing:



Pin No.	Assignment	Pin No.	Assignment
1	AC/L	4	DC output (V-)
2	AC/N	5	DC output (V+)
3	FG		