

Type BLC-09 Fuse Block ANE / ANF Limiter Fuses



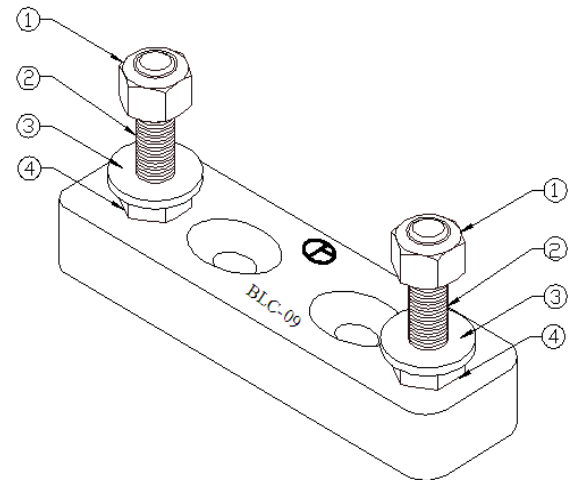
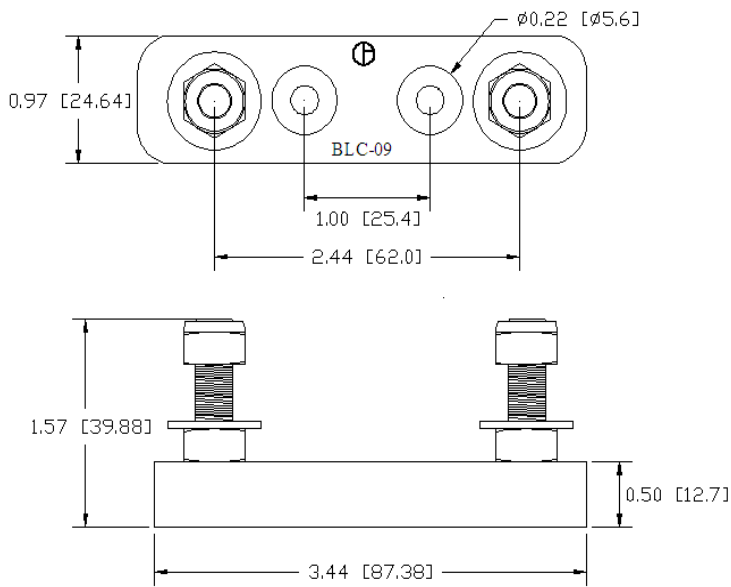
www.optifuse.com (619) 593-5050

Specifications:

Voltage Rating: 125VAC
Max Current Rating: 200A
Fuse Type: ANE / ANF Limiter Fuse
Base: Polyester Impact/Electrical -01528 Grey
 with Mineral and Glass Fiber Added.
 ULR Certification number E40654
Terminals: Low Carbon Steel, Zinc Finish

Hardware Specifications		
Item	Qty	Description
1	2	Nut, Nylock 5/16-24UNF
2	2	Bolt, hex cap, 5/16-24 UNF x 1.25
3	2	Washer, 5/16 SAE
4	2	Nut, Hex, Normal, 5/16-24UNF

Mechanical Dimensions: Inches [mm]



	Warning: -Operation beyond the specified maximum ratings or improper use may result in damage and possible electrical arcing and/or flame.
	-Avoid contact of device with chemical solvent. Prolonged contact may damage the device performance.