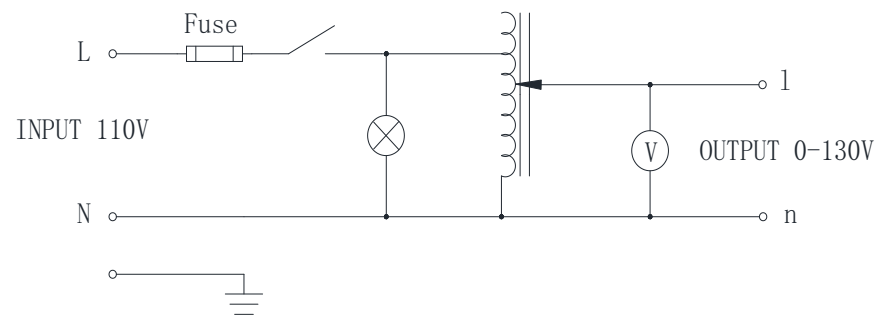


TDGC2-2

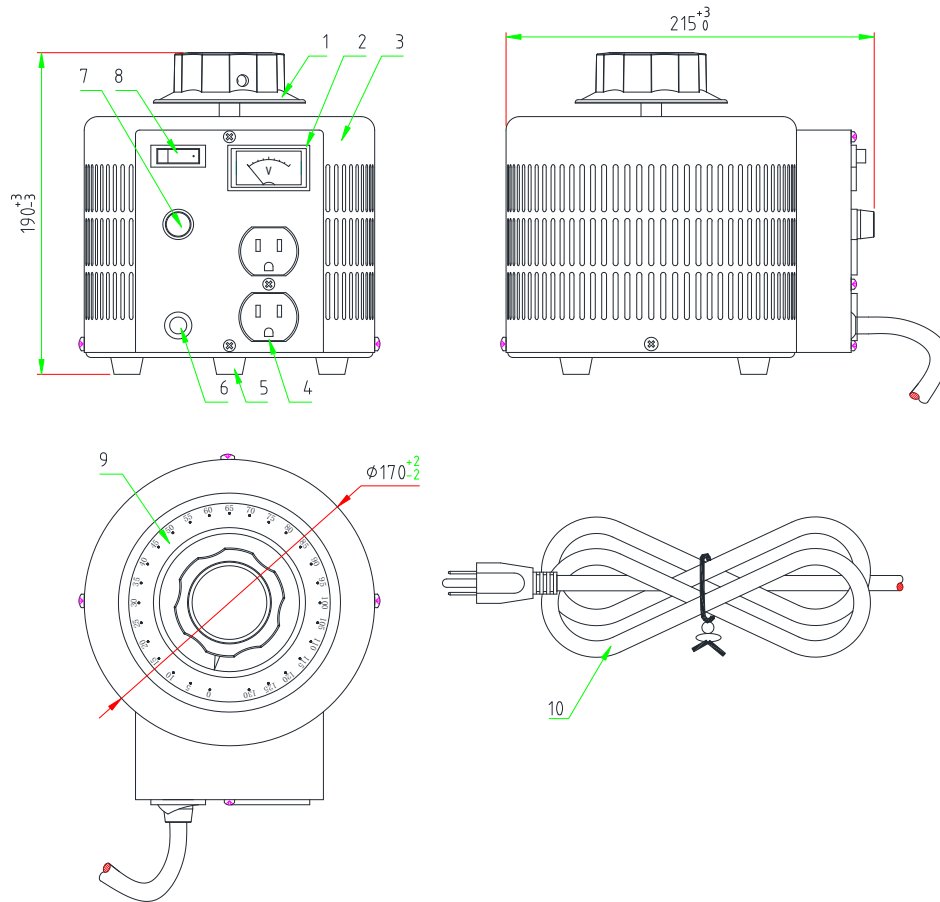
A. CIRCUIT DIAGRAM



B. TECHNICAL PARAMETERS

1. Power: 2000VA
2. Input voltage: 110V
3. Input current: 18A
4. Output voltage: 0-130V
5. Rated output current: 15.38A (Continuous operation for 2 hours, <10A can work continuously)
6. No-load current: <0.6A
7. Frequency: 50 / 60Hz
8. Output efficiency: 90%
9. Insulation level: E
10. Cold insulation resistance: (coil grounding) > 5m Ω
11. Power frequency withstand voltage: (coil grounding) 1500V / 1min no breakdown

C.OUTLINE DIMENSION



1. Hand wheel
2. Output voltmeter
3. Cover piece
4. socket
5. machine pin
6. Input
7. Fuse holder 20A
8. Power switch
9. Voltage calibration disk
10. Power plug line