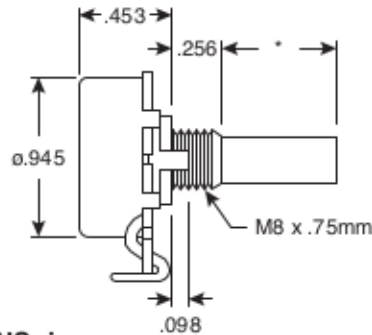
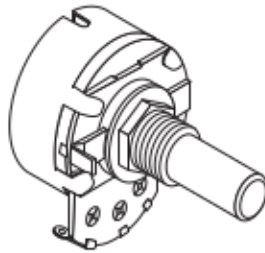
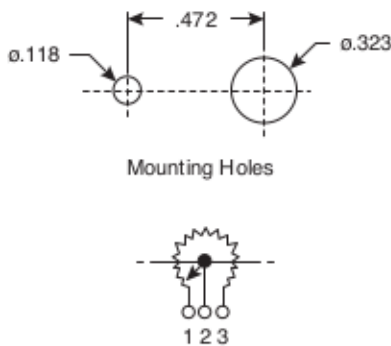
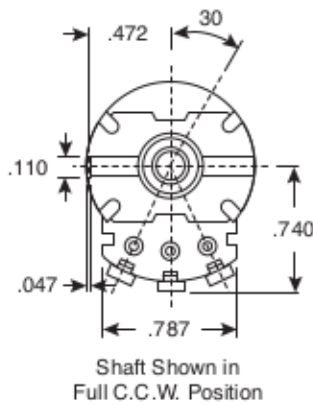




**Potentiometer**  
**31VA Series**  
**31VJ Series**



**DIMENSIONS: in.**  
(except where noted)



**Specifications:**

- Resistance tolerance:  $\pm 20\%$
- Taper: linear(31VA series), audio(31VJ series)
- Maximum working voltage: 500V(linear taper)  
250V(audio taper)
- Power Dissipation: .5W(linear taper)  
.25W(audio taper)
- Insulation resistance:  $> 100M\Omega @ 500VDC$
- Minimum resistance: if total R  $< 2K$  then  $\leq 20\Omega$   
if total R  $> 2K$  then  $\leq 100\Omega$   
if total R  $> 1m$  then  $\leq 200\Omega$
- Rotation life: 15,000 cycles
- Resistive element: carbon composition
- Electrical rotation angle:  $285^\circ \pm 5^\circ$
- Rotation angle:  $300^\circ \pm 5^\circ$
- Rotation torque: 20~200 gf.cm
- Shaft stop strength:  $> 6Kgf.cm/min$
- Terminals: solder lugs
- Shaft length\*: .335"(31VA series, 31VJ series)
- Shaft: die cast
- RoHS Compliant

STOCK NO.	Value ( $\Omega$ )
31VA205	500
31VA301	1K
31VA302	2K
31VA303	2.5K
31VA305	5K
31VA401	10K
31VA403	25K
31VA405	50K
31VA501	100K
31VA503	250K
31VA505	500K
31VA601	1M
31VA602	2M
31VA605	5M

STOCK NO.	Value ( $\Omega$ )
31VJ301	1K
31VJ305	5K
31VJ401	10K
31VJ405	50K
31VJ501	100K
31VJ503	250K
31VJ505	500K
31VJ601	1M