

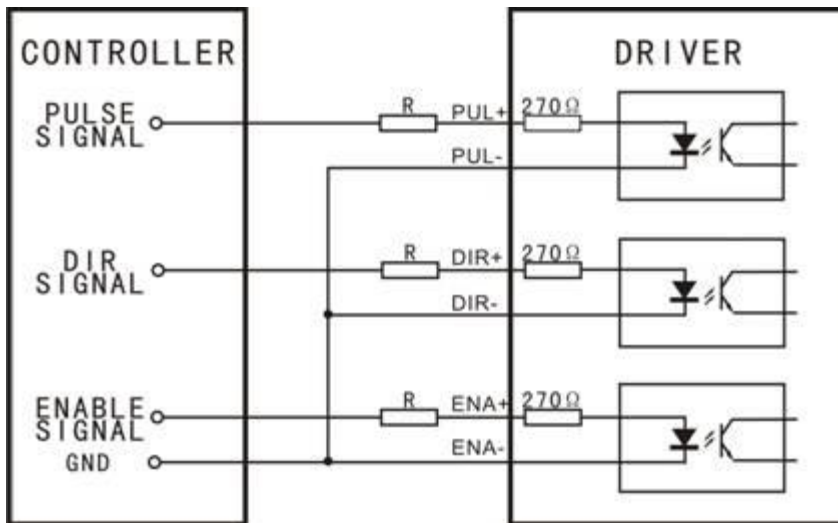
CWD860 Electric Specifications

Control Signal connector	
Name	Description
DIR-	Direction signal negative
DIR+	Direction signal positive
PUL-	Pulse signal negative
PUL+	Pulse signal positive
ENA-	Enable signal negative, usually left unconnected(enable)
ENA+	Enable signal positive, usually left unconnected(enable)

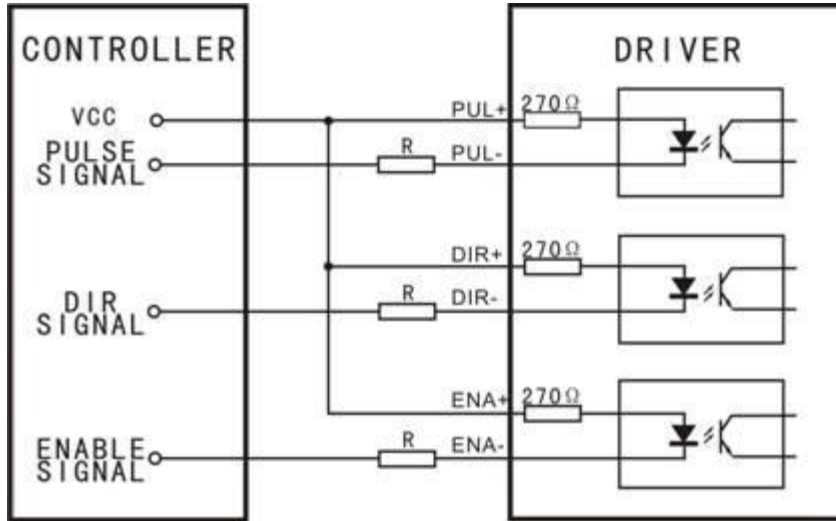
Power and Motor Connector

AC	Power supply
AC	+60~+110 VDC or 40V-80VAC
A+	Motor phase A
A-	
B+	Motor phase B
B-	

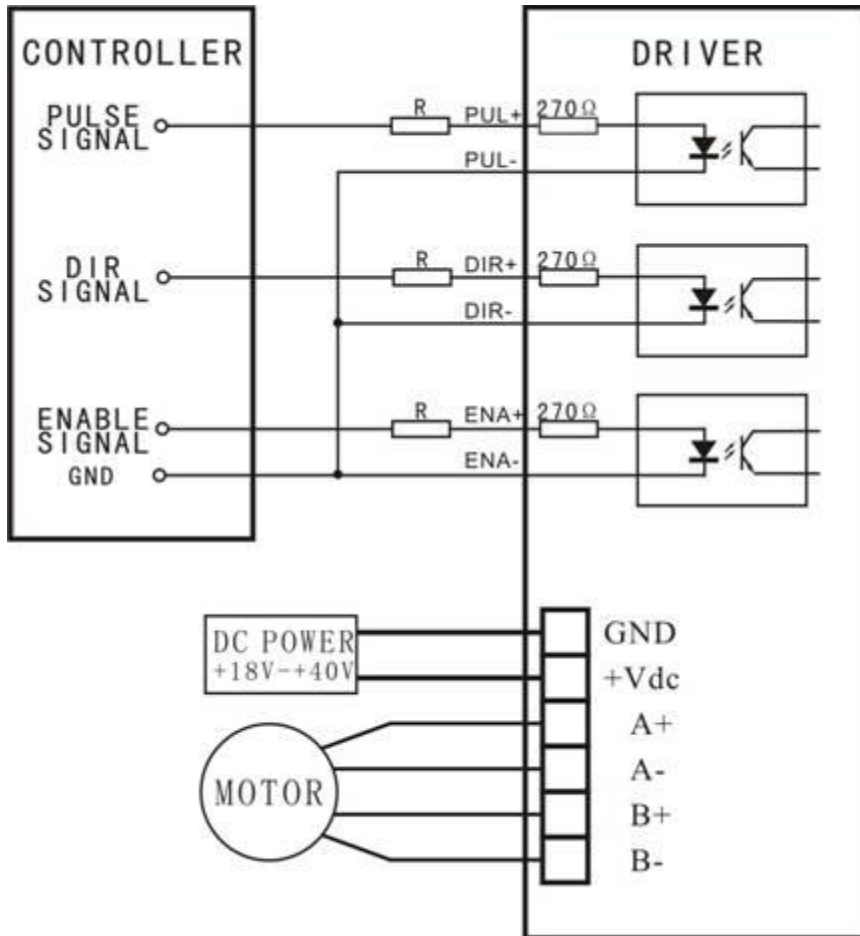
Control Signal Connector Interface



Common-Cathode



Common Anode



Typical Connection

VCC	R
5V	0
12V	680 Ω
24V	1.8K Ω